



PERGEDGE  
ADVANCED SHADING SYSTEMS

# TECHNICAL SPECIFICATION

FOR BIOCLIMATIC PERGOLA & PVC SYSTEM.





### INTRODUCTION

Bioclimatic Pergola is a waterproof shading system. Rotating lamellae and system are completely made of aluminium. Provides protection from sunlight on sunny days. With its special feature Provides protection from rain water or snow.

We provide colors and the possibility of being different adding, with the diversity of modern design (Led, rain, wind, snow sensors etc.)

Using areas of Bioclimatic Pergola: homes, hotels facilities, restaurants and cafes.





## DESIGN

Bioclimatic Pergola minimizes the noise that may occur during operation. The movement of the lamellae becomes  $105^\circ$  owing to engines. The motorized system that allows the free movement of the lamellae is located inside the system. Prevention of noise caused by lamellae with the use of gaskets. And water which may leak through on one side with strap. Lamella are collected on one side owing to strap. There are led channels in the interior of the gutter. Led light can be changed through RGB. And also light adjustable owing to dimmer. It is used in large areas by bringing the system side by side.

## OPTIONAL PRODUCTS

Choose from a variety of automatic options Possibility systems:

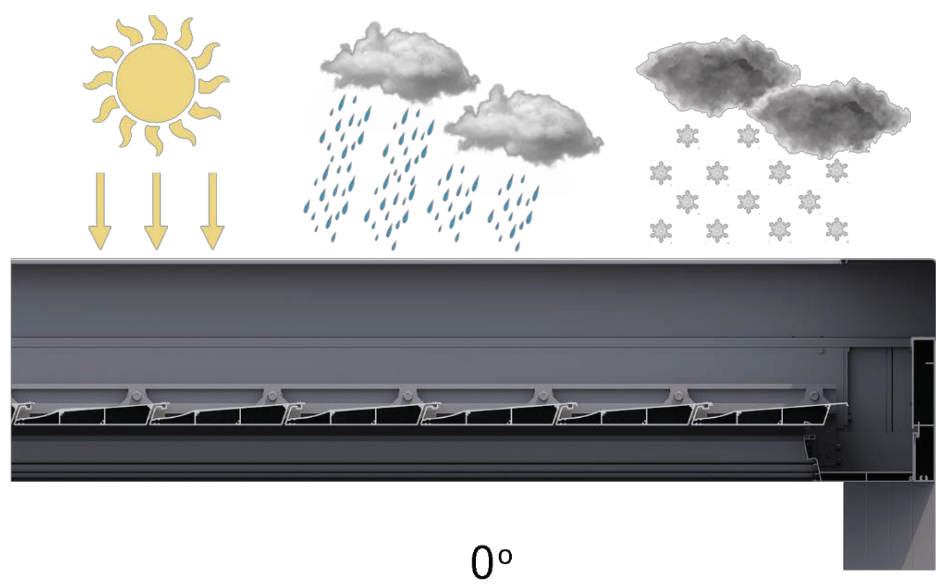
- led lightning
- Infrared heating
- Transmitter and central Smartphone control
- Temperature sensor
- Snow sensor
- Rain sensor



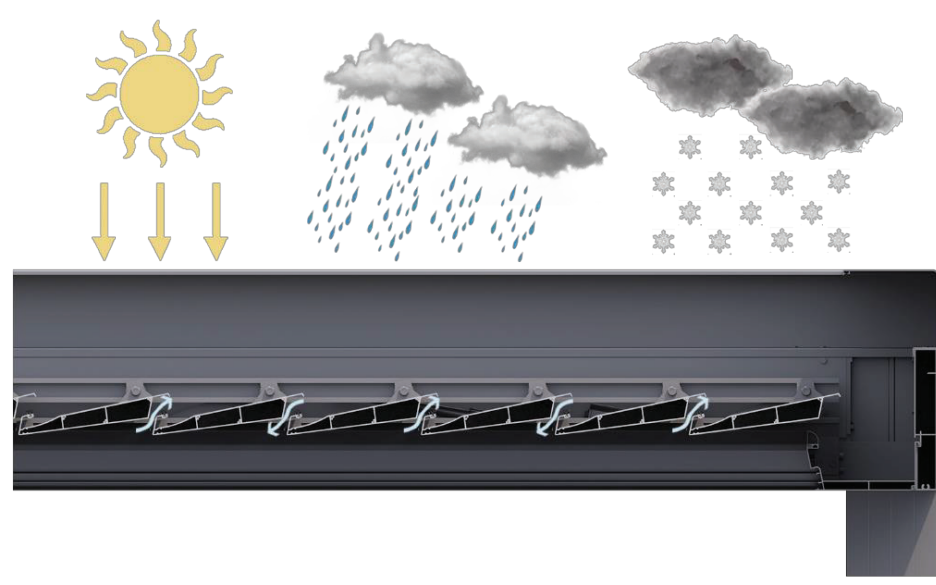
# INTRODUCTION

## LAMELLA MOVEMENT

Provides maximum air using of the pergola at different times, free rotation of the lamella between 0° and 105°.



Provides protection from all weather conditions the roof remains closed.



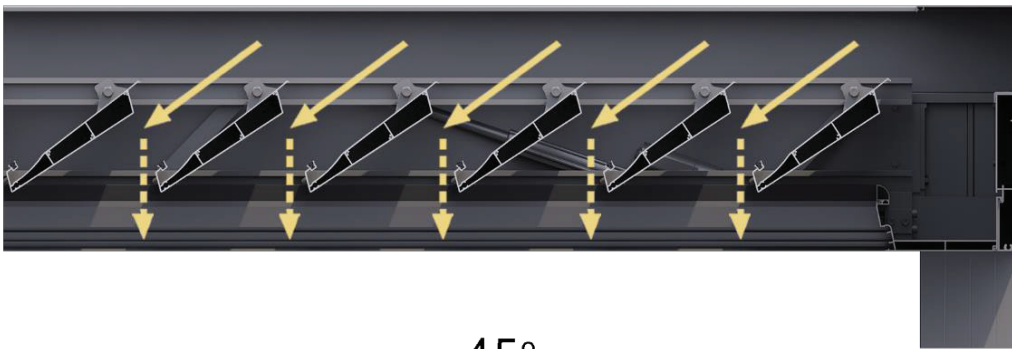
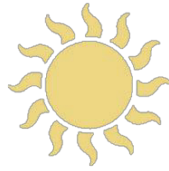
Provide the ventilation of the area even if it is raining or snowing.



## INTRODUCTION

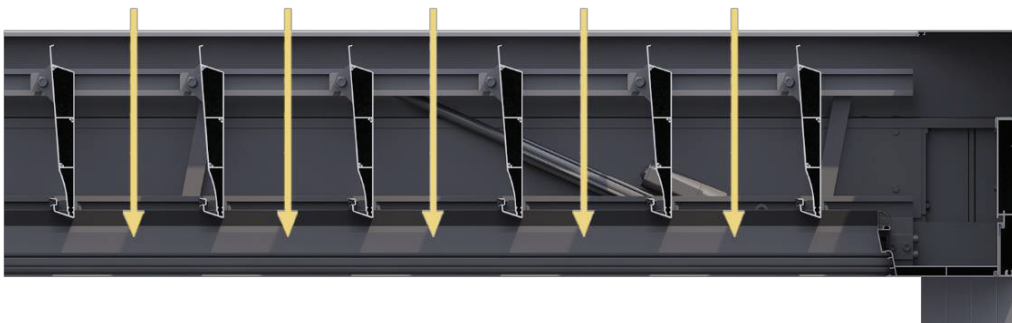
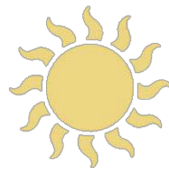
### LAMELLA MOVEMENT

Provides maximum air using of the pergola at different times, free rotation of the lamella between 0° and 105°.



45°

Allows the sunlight to enter, still controls the lighting



105°

Permits full use of the sunlight.

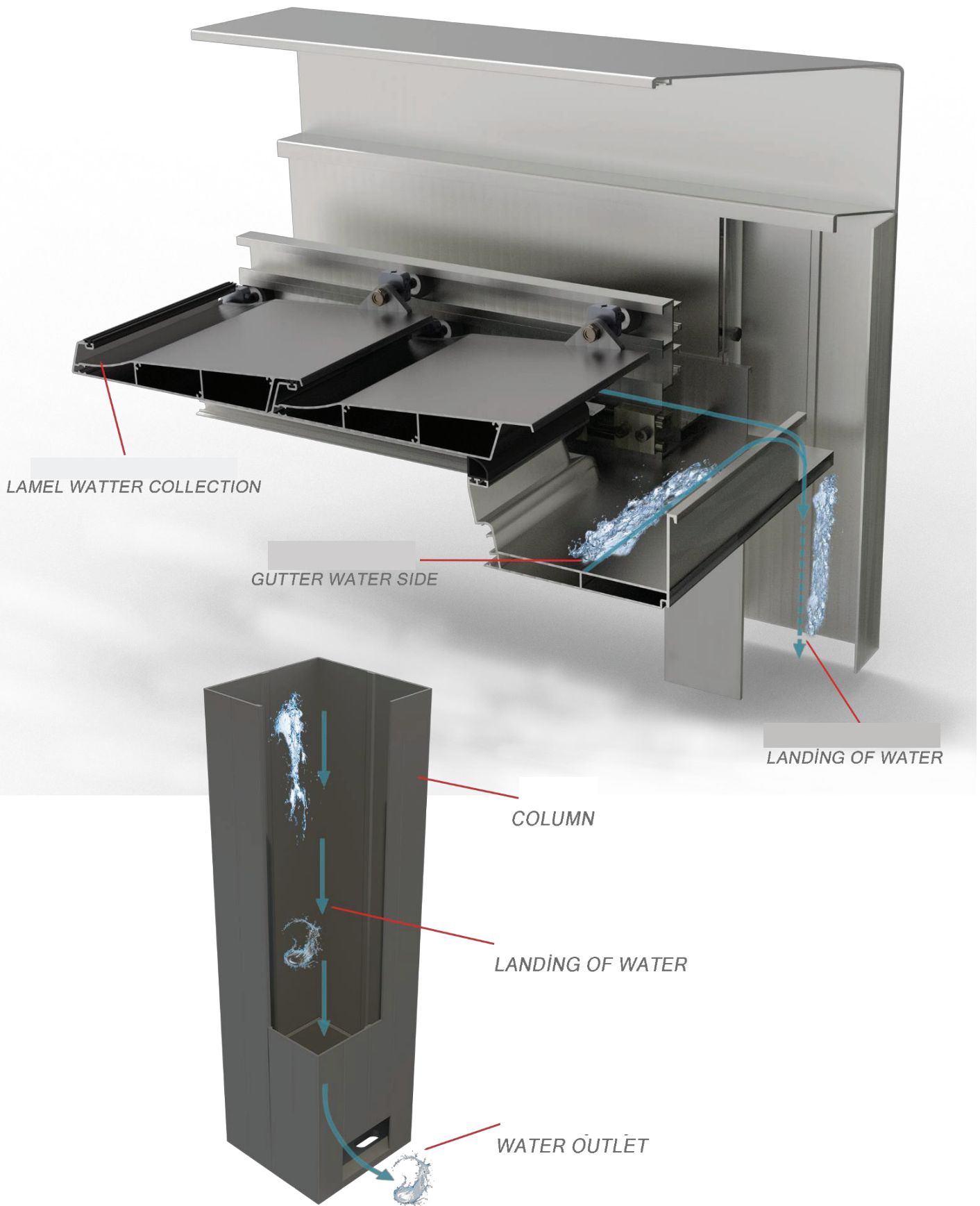
**RAINWATER DRAINAGE SYSTEM**

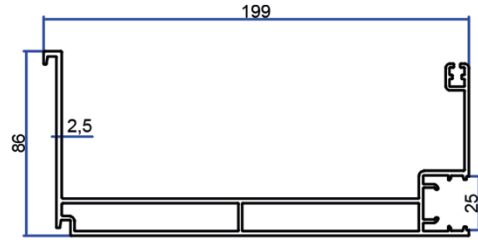
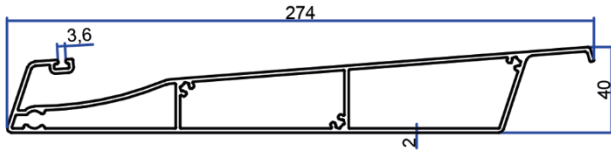
Bioclimatic Pergola is designed to collect rainwater. The water is directed to side beams of lamella. And then rainwater is directed to side gutter from lamellae. The collected water is transferred from inside of the foot to the outside notching is applied to the groove and the feet for rainwater discharge.



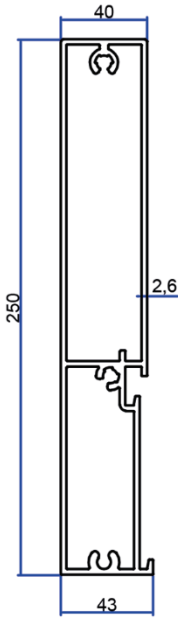


## RAINWATER DRAINAGE SYSTEM

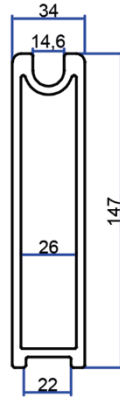




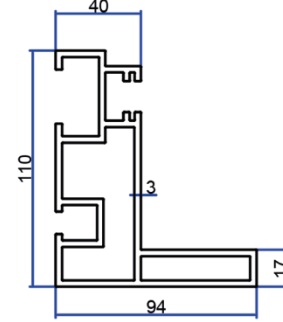
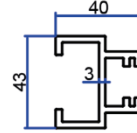
Profile No	kg/m
2420	3,700



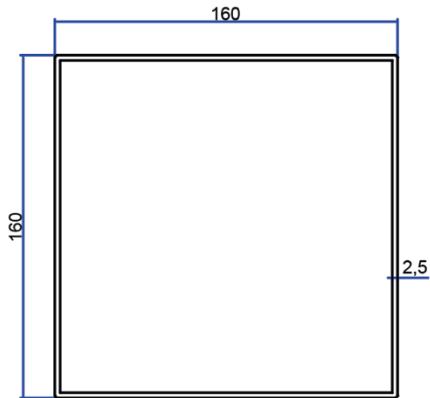
Profile No	kg/m
2424	4,990



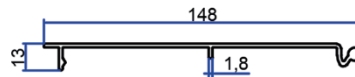
Profile No	kg/m
2425	4,082



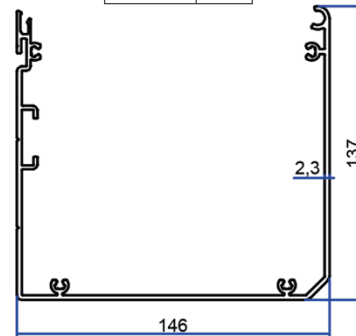
Profile No	kg/m
2422	3,933



Profile No	kg/m
2426	4,270

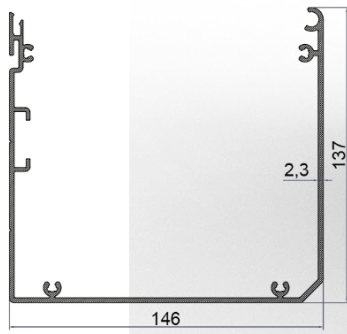


Profile No	kg/m
2091	0,915

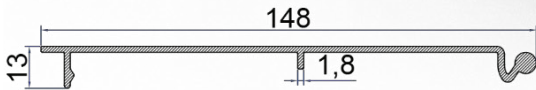
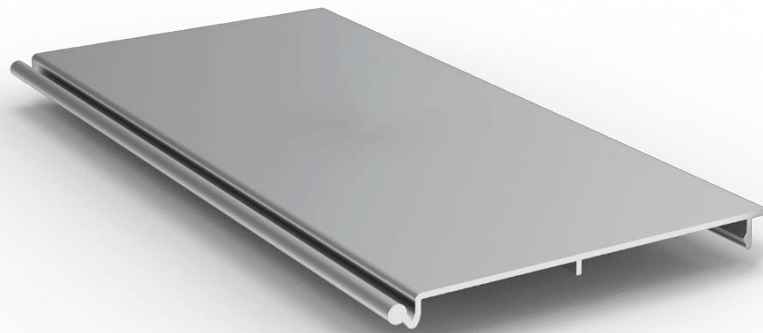


Profile No	kg/m
2090	3,075

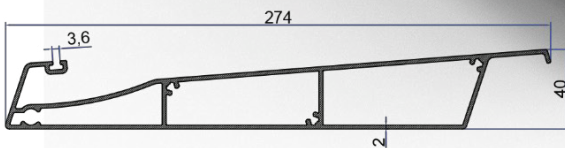
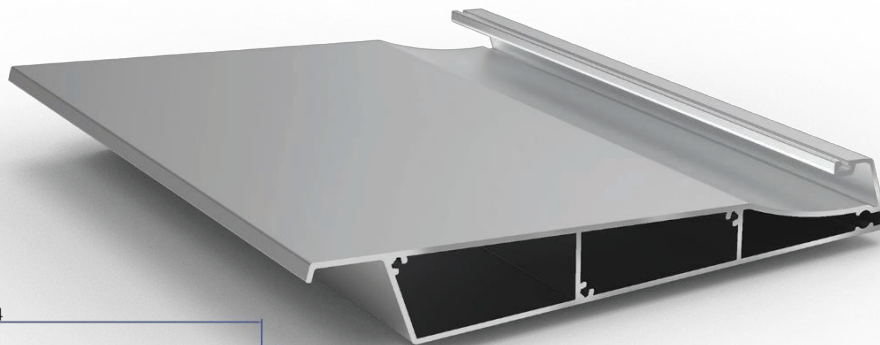




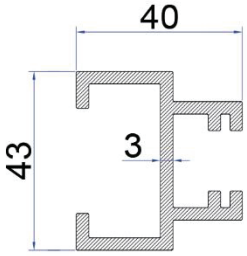
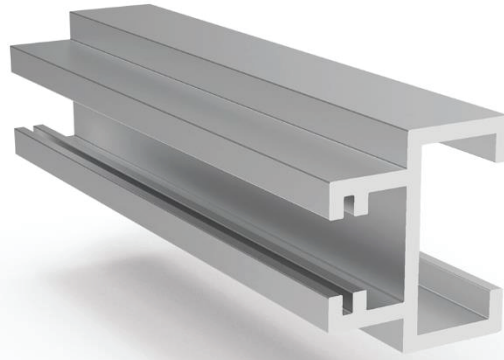
PROFILE	2090	NAME	ENGINE BOX	WEIGHT	3,075 kg/m	LENGHT	7 METER
---------	------	------	------------	--------	------------	--------	---------



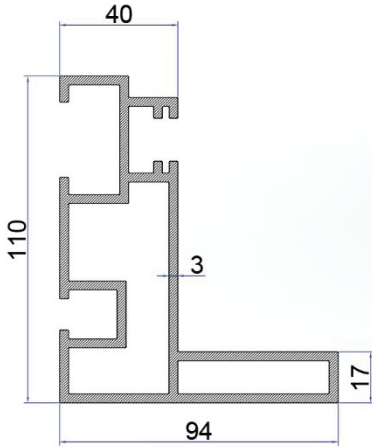
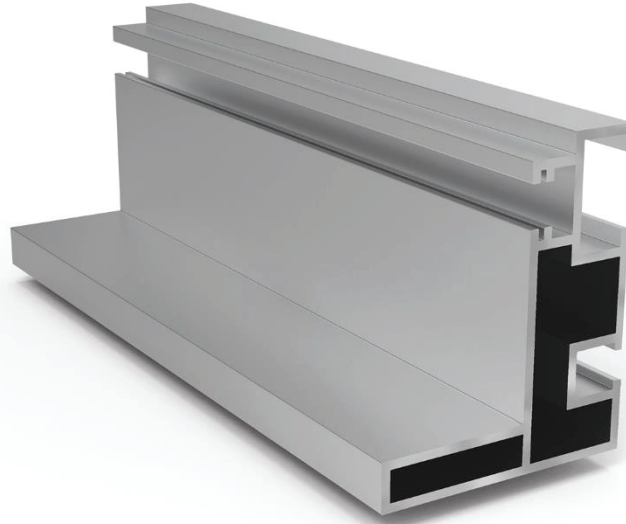
PROFILE	2091	NAME	ENGINE BOX COVER WEIGHT	WEIGHT	0,915 kg/m	LENGHT	7 METER
---------	------	------	-------------------------	--------	------------	--------	---------



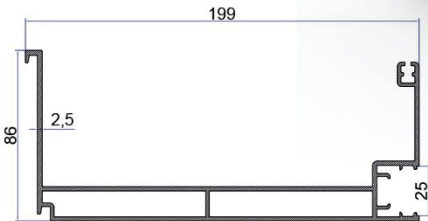
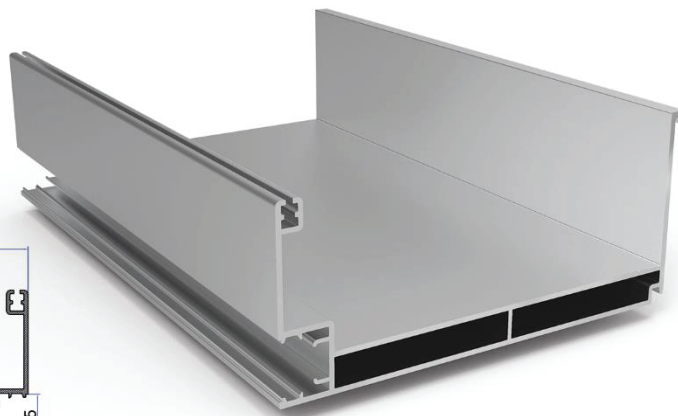
PROFILE	2420	NAME	LAMELLA	WEIGHT	3,700 kg/m	LENGHT	7 METER
---------	------	------	---------	--------	------------	--------	---------



PROFILE	2421	NAME	RAIL TAP ADD	WEIGHT	1,171 kg/m	LENGHT	7 METER
---------	------	------	--------------	--------	------------	--------	---------



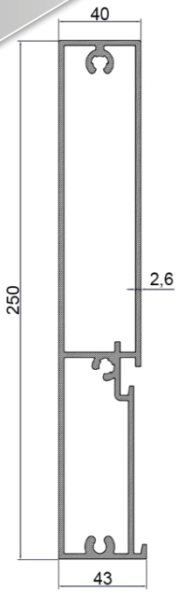
PROFILE	2422	NAME	RAIL	WEIGHT	3,933 kg/m	LENGHT	7 METER
---------	------	------	------	--------	------------	--------	---------



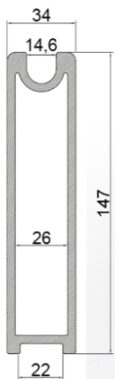
PROFILE	2423	NAME	GUTTER	WEIGHT	3,512 kg/m	LENGHT	7 METER
---------	------	------	--------	--------	------------	--------	---------



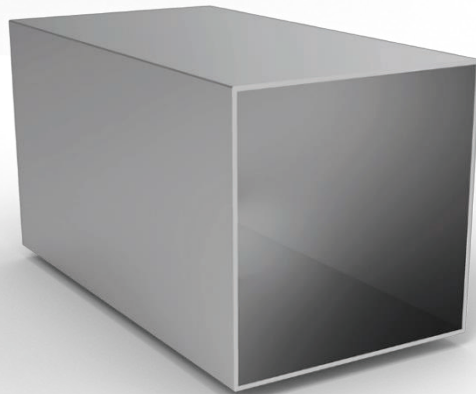
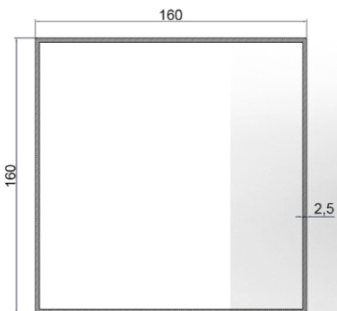
PROFILES



PROFILE	2424	NAME	40 X 250 GUTTER SEWING	WEIGHT	4,990 kg/m	LENGHT	7 METER
---------	------	------	------------------------	--------	------------	--------	---------



PROFILE	2425	NAME	ADDITIONAL WEDGE	WEIGHT	4,082 kg/m	LENGHT	7 METER
---------	------	------	------------------	--------	------------	--------	---------



PROFILE	2426	NAME	160 X 160 COLUMN	WEIGHT	4,270 kg/m	LENGHT	7 METER
---------	------	------	------------------	--------	------------	--------	---------

## TYOPOLOGY



■ 1 SYSTEM WITH 4 LEGS



■ 2 SYSTEMS WITH 6 LEGS

## TYOPOLOGY



- 6 SYSTEMS WITH 12 LEGS



- 1 SYSTEM WITHOUT LEG



## TYOPOLOGY



■ 1 SYSTEM WITH 2 LEGS



■ 2 SYSTEMS WITH 3 LEGS

## MAXIMUM MEASUREMENT OF THE SYSTEM

### FRONT OPENING SIZE AND NUMBER OF PANELS

ARE OPENING SIZES ACCORDING TO THE NUMBER OF PANELS.

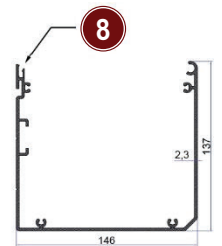
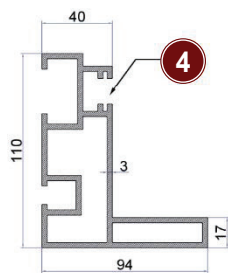
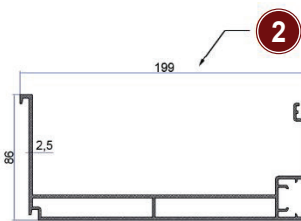
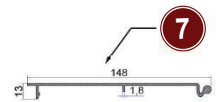
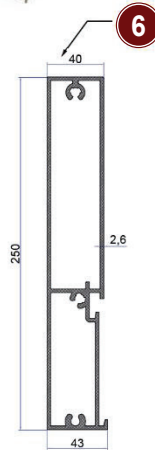
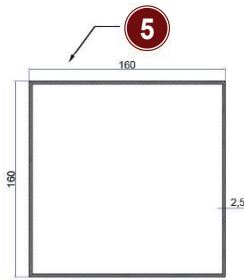
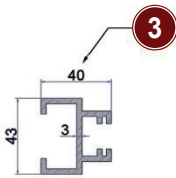
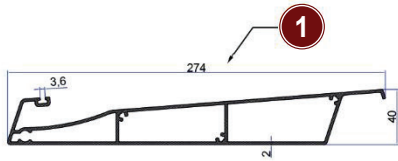
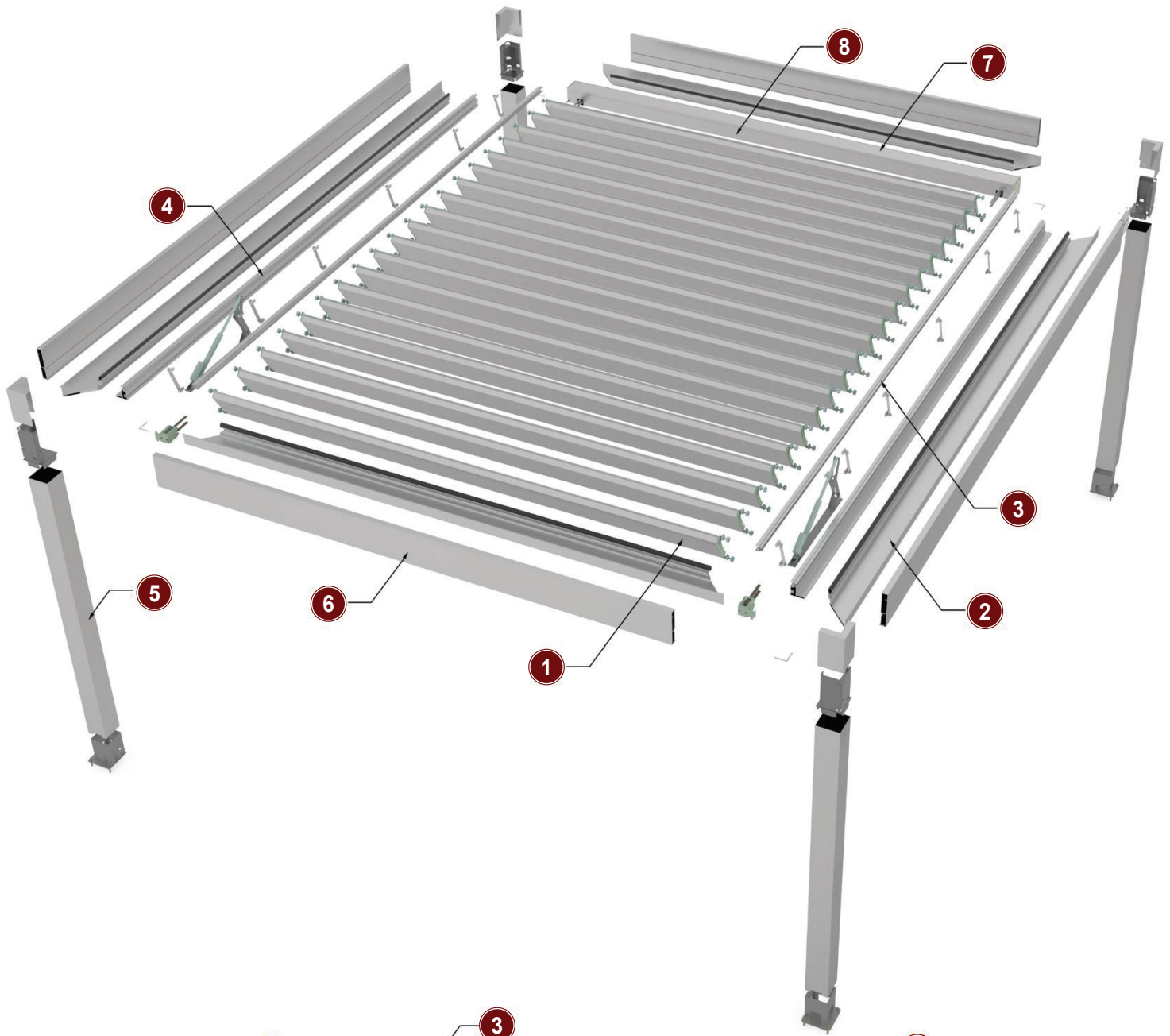
5 LAMEL	1,550 Metre	17 LAMEL	4,378 Metre
6 LAMEL	1,780 Metre	18 LAMEL	4,614 Metre
7 LAMEL	2,016 Metre	19 LAMEL	4,850 Metre
8 LAMEL	2,252 Metre	20 LAMEL	5,086 Metre
9 LAMEL	2,488 Metre	21 LAMEL	5,322 Metre
10 LAMEL	2,725 Metre	22 LAMEL	5,558 Metre
11 LAMEL	2,960 Metre	23 LAMEL	5,795 Metre
12 LAMEL	3,197 Metre	24 LAMEL	6,030 Metre
13 LAMEL	3,433 Metre	25 LAMEL	6,267 Metre
14 LAMEL	3,670 Metre	26 LAMEL	6,503 Metre
15 LAMEL	3,905 Metre	27 LAMEL	6,740 Metre
16 LAMEL	4,142 Metre	28 LAMEL	6,975 Metre

THE MAX FACADE LENGTH IS 3.75 METERS



# ASSEMBLY DIAGRAM

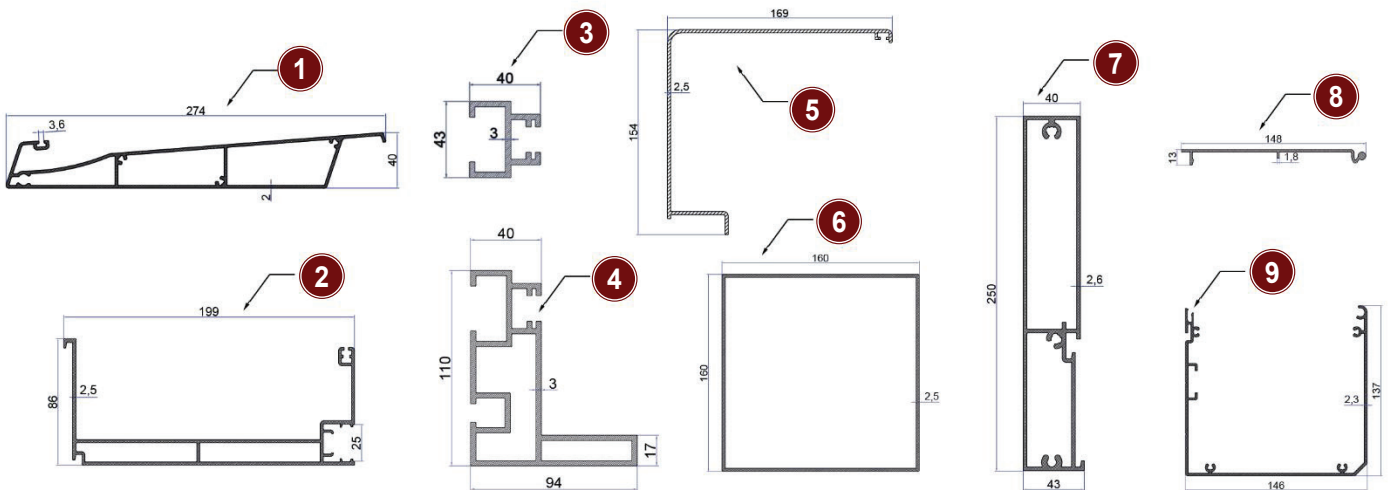
## SYSTEM PROFILE LOCATIONS





# ASSEMBLY DIAGRAM

## SYSTEM PROFILE LOCATIONS



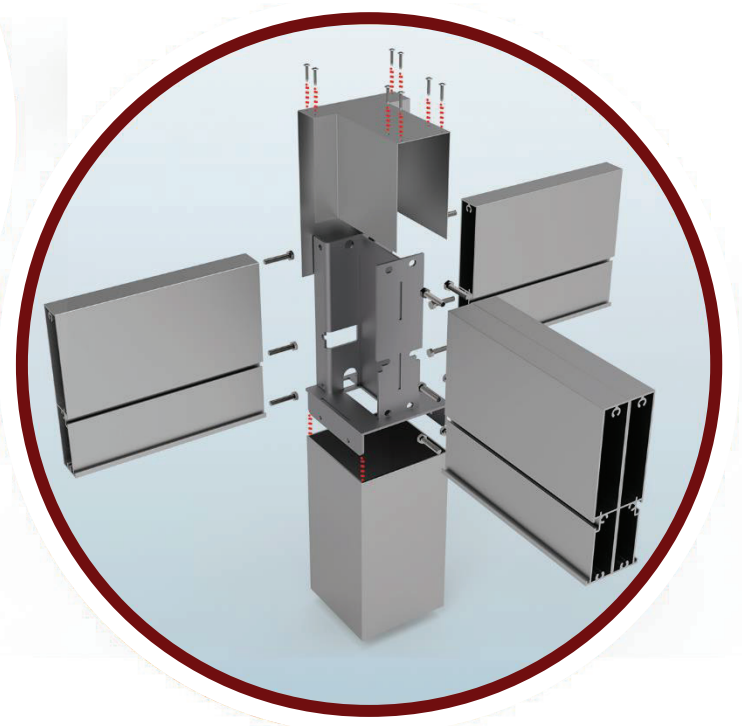
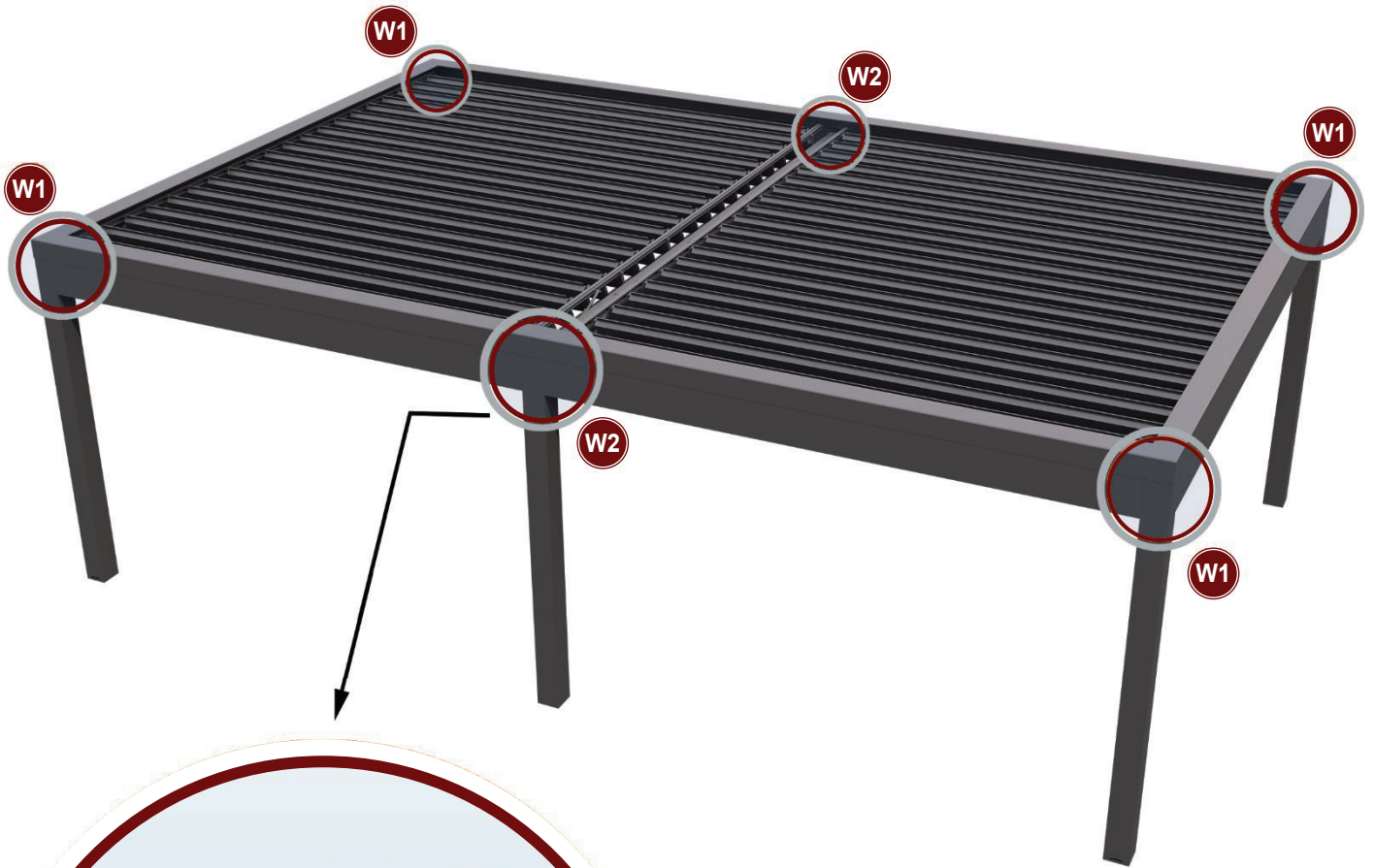
# ASSEMBLY DIAGRAM

## CORNER CONNECTION SYSTEMS



# ASSEMBLY DIAGRAM

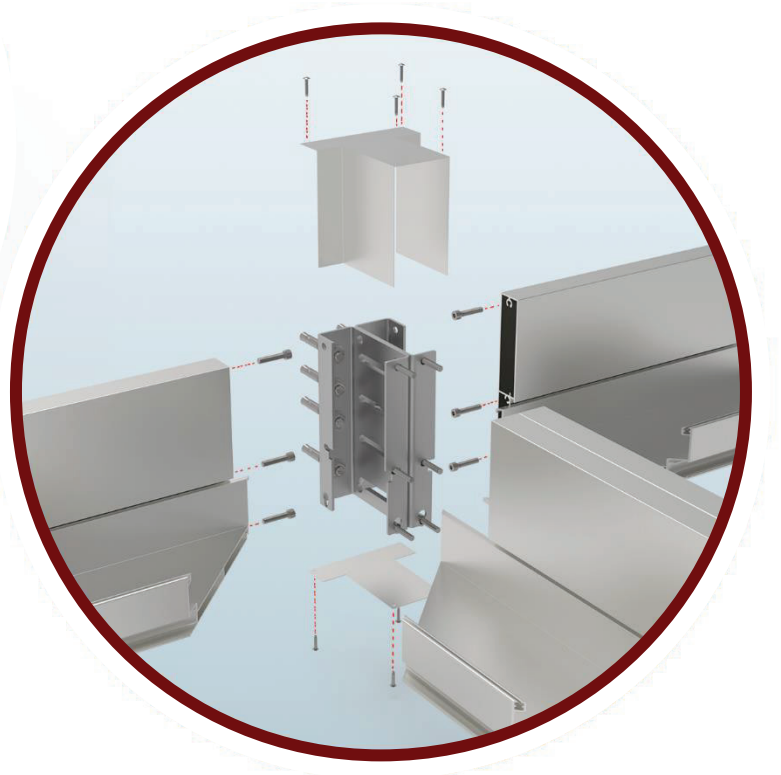
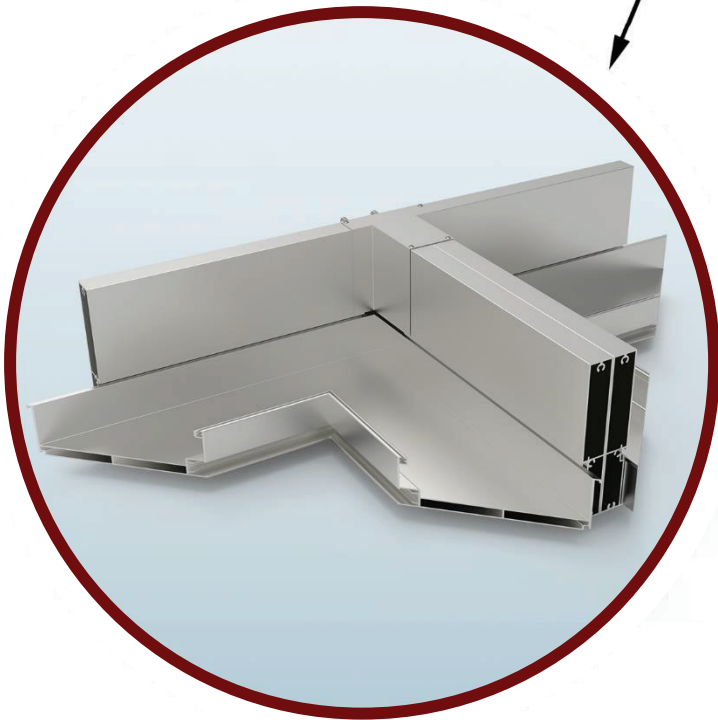
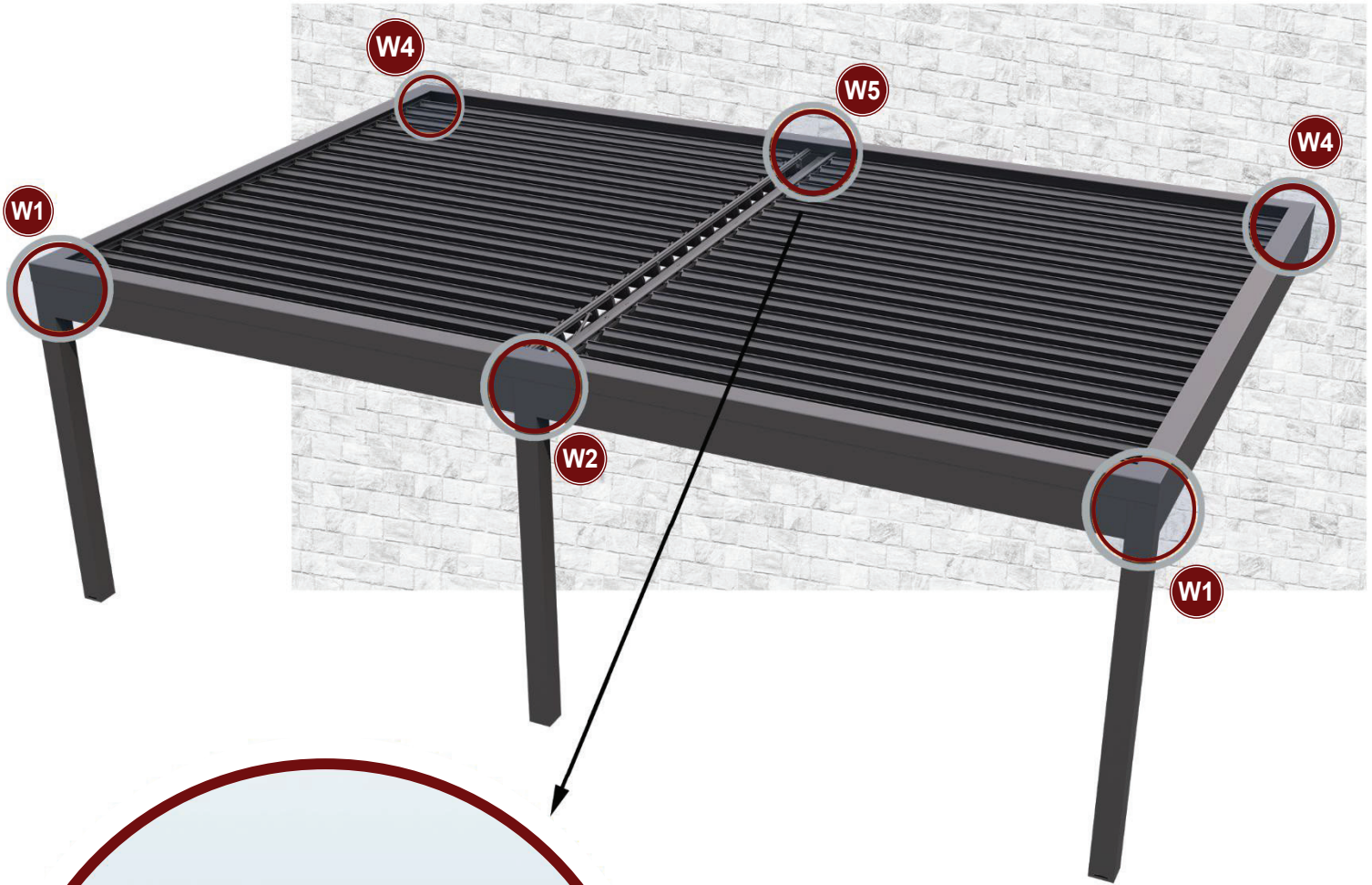
## CORNER CONNECTION SYSTEMS





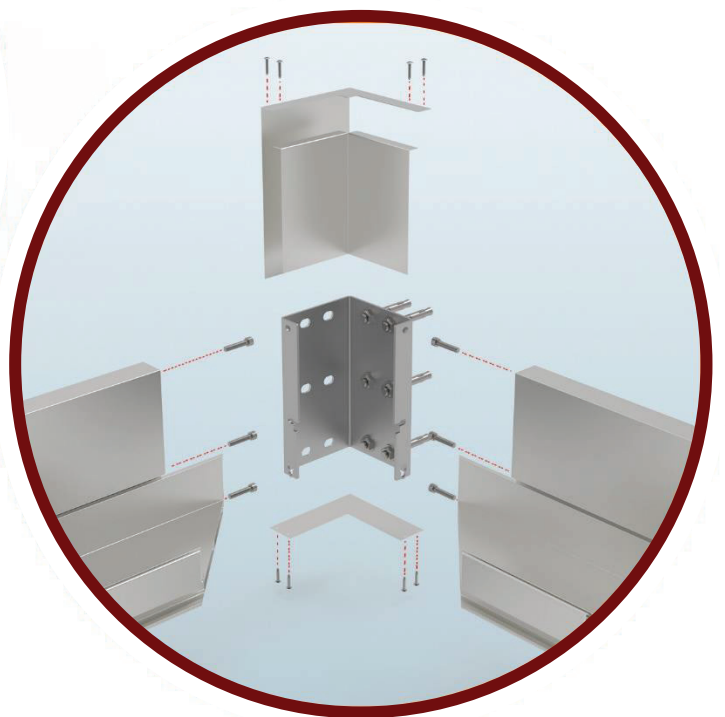
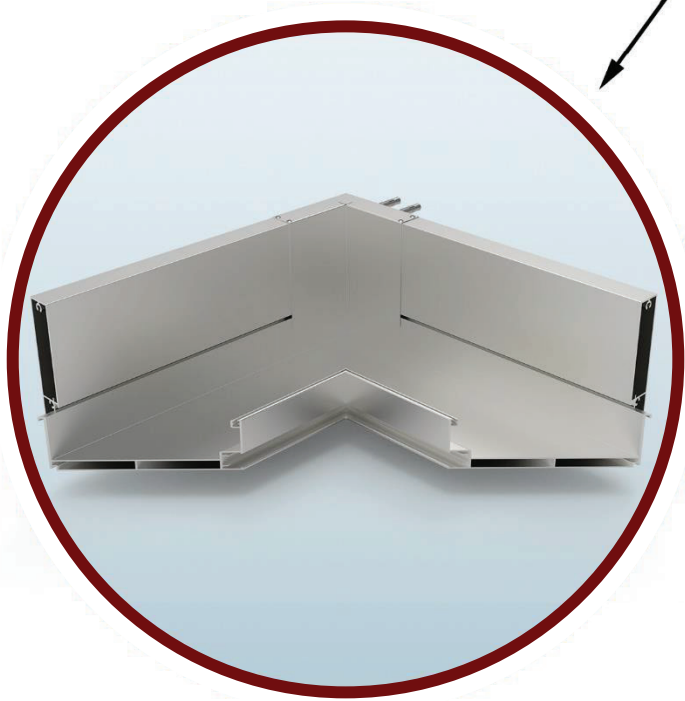
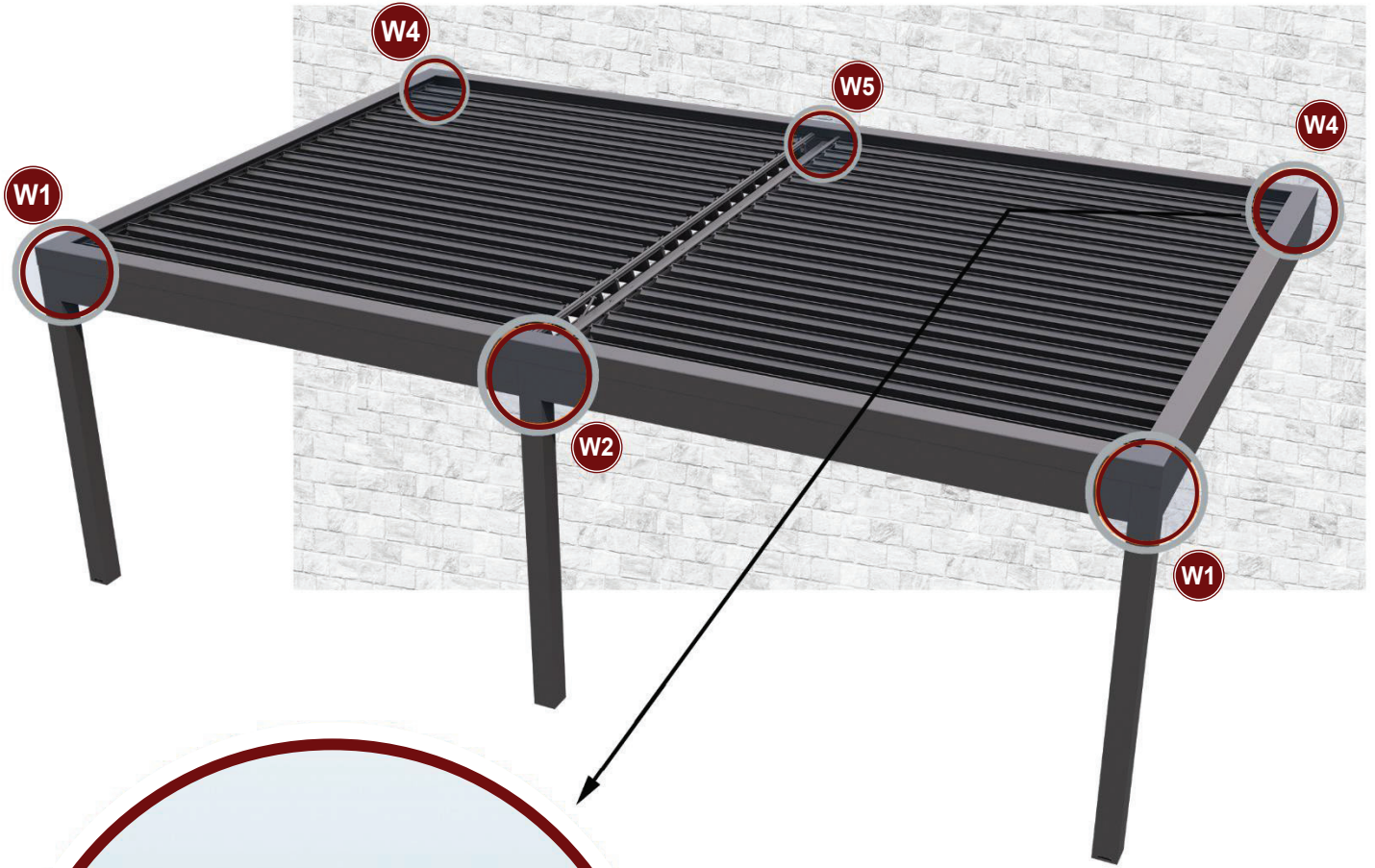
## ASSEMBLY DIAGRAM

### WALL MIDDLE CORNER CONNECTION SYSTEM



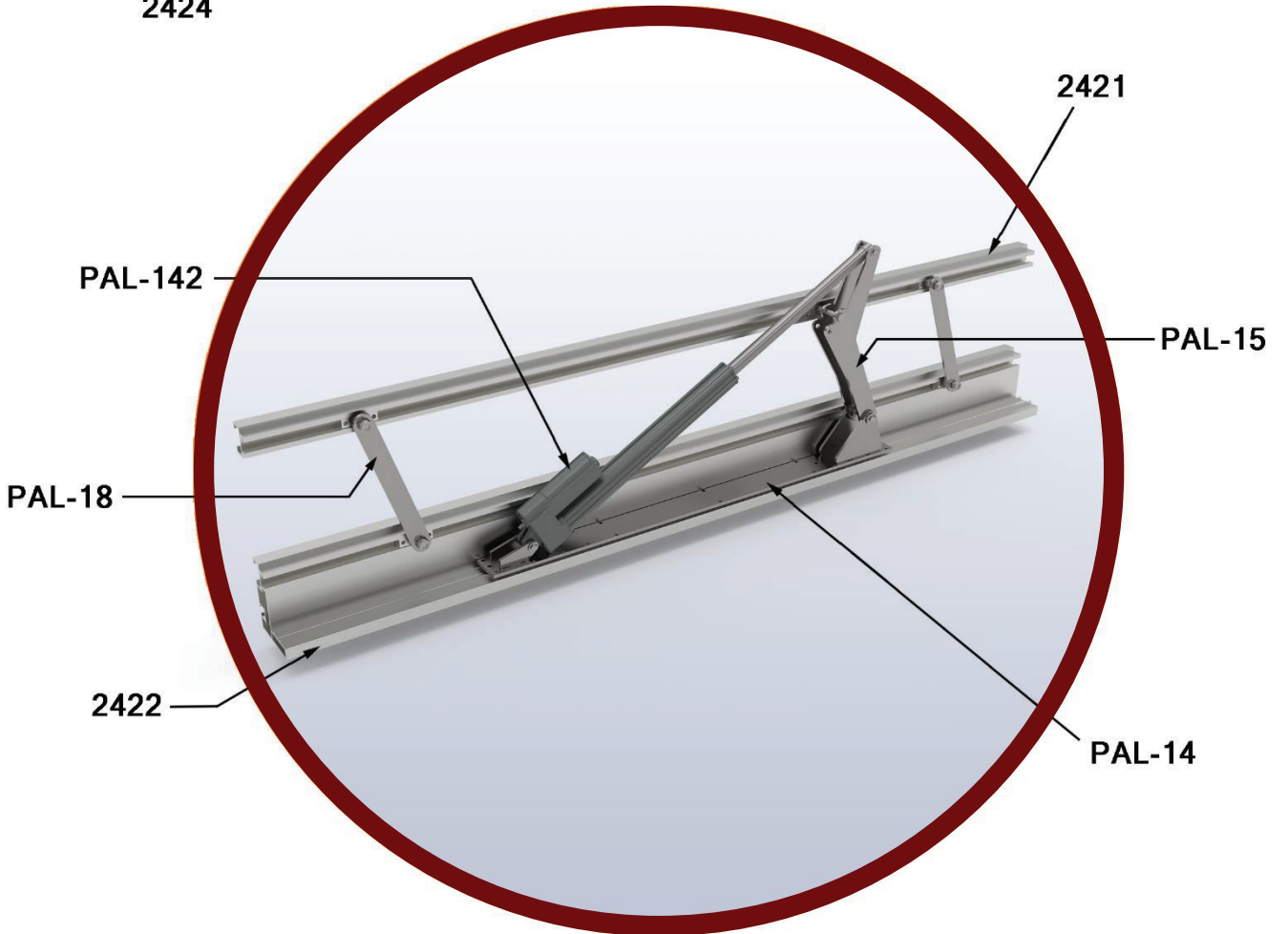
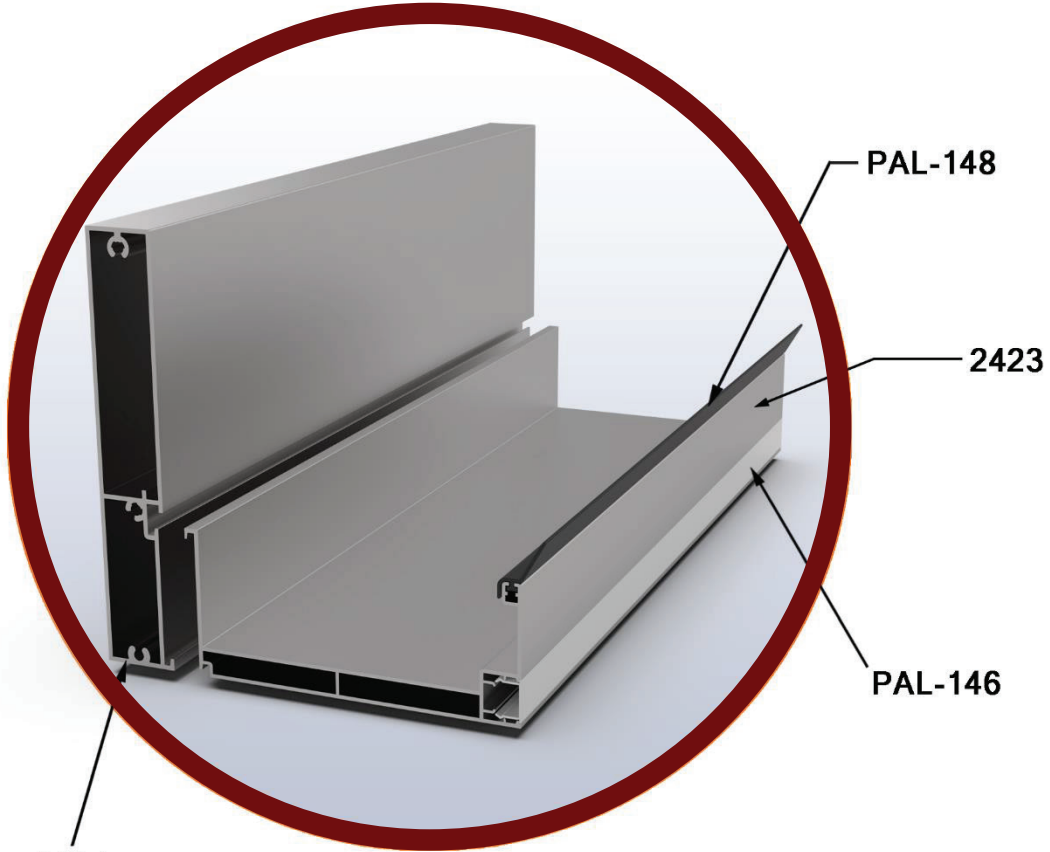
# ASSEMBLY DIAGRAM

## WALL CORNER CONNECTION SYSTEM





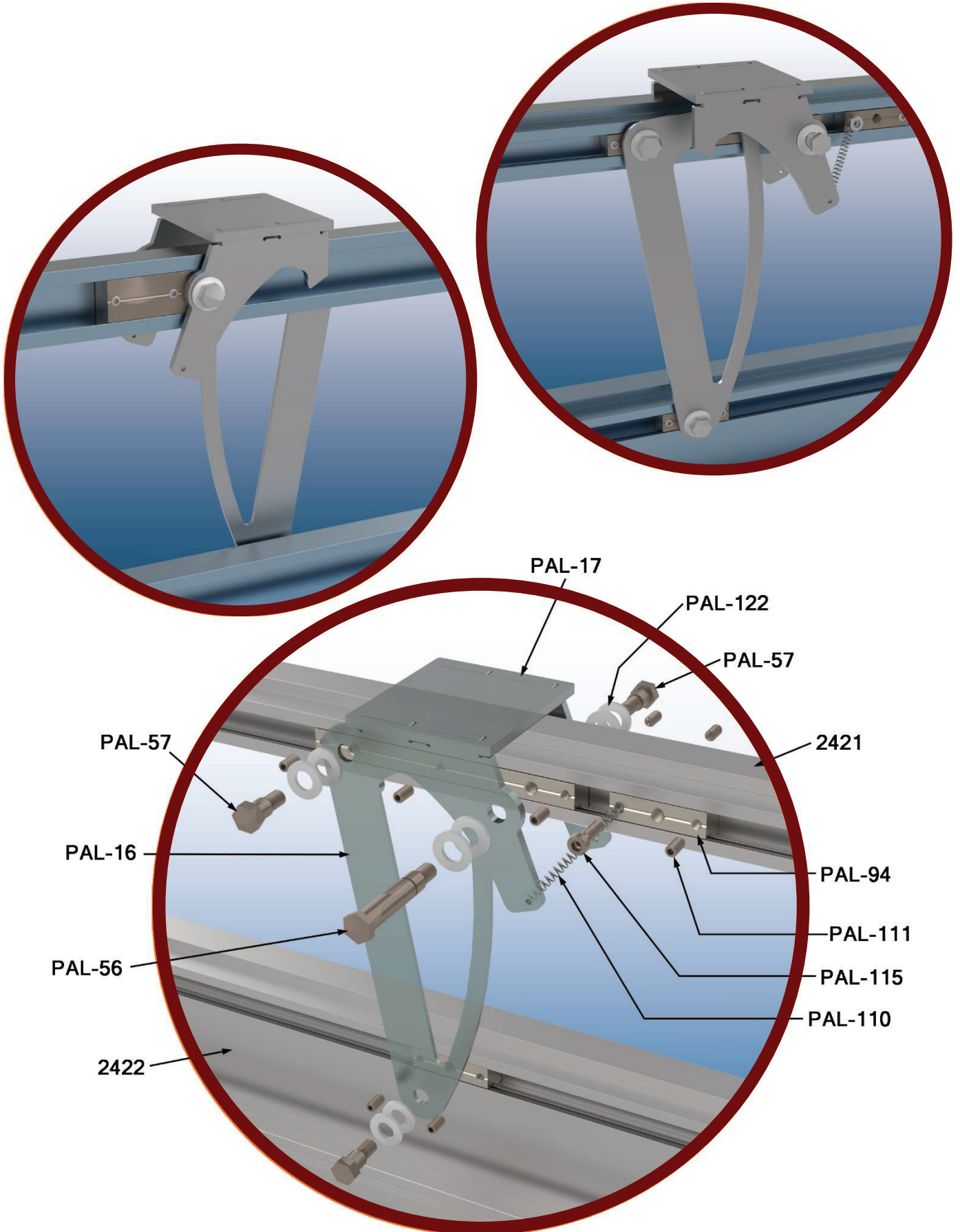
**ASSEMBLY DIAGRAM**





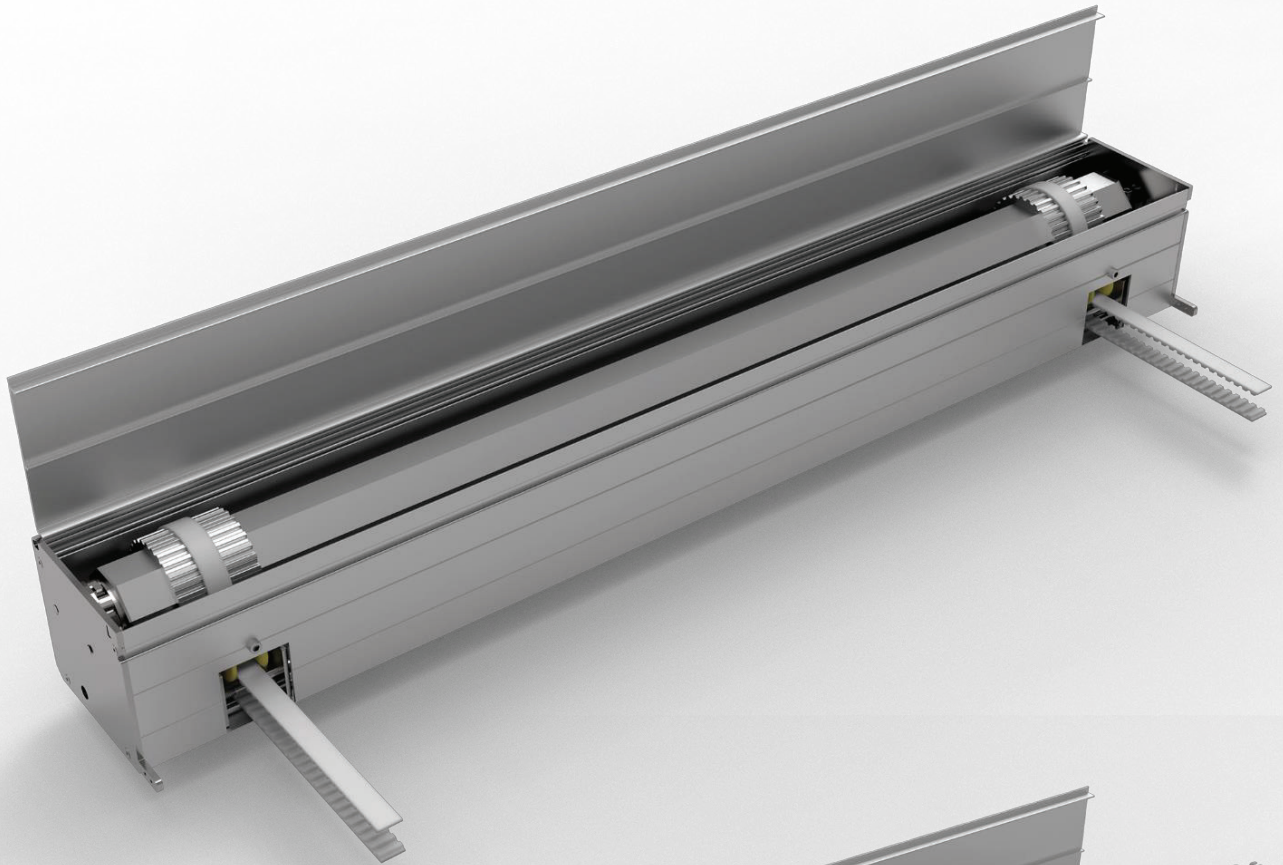
# ASSEMBLY DIAGRAM

## FRONT LOCK ASSEMBLY

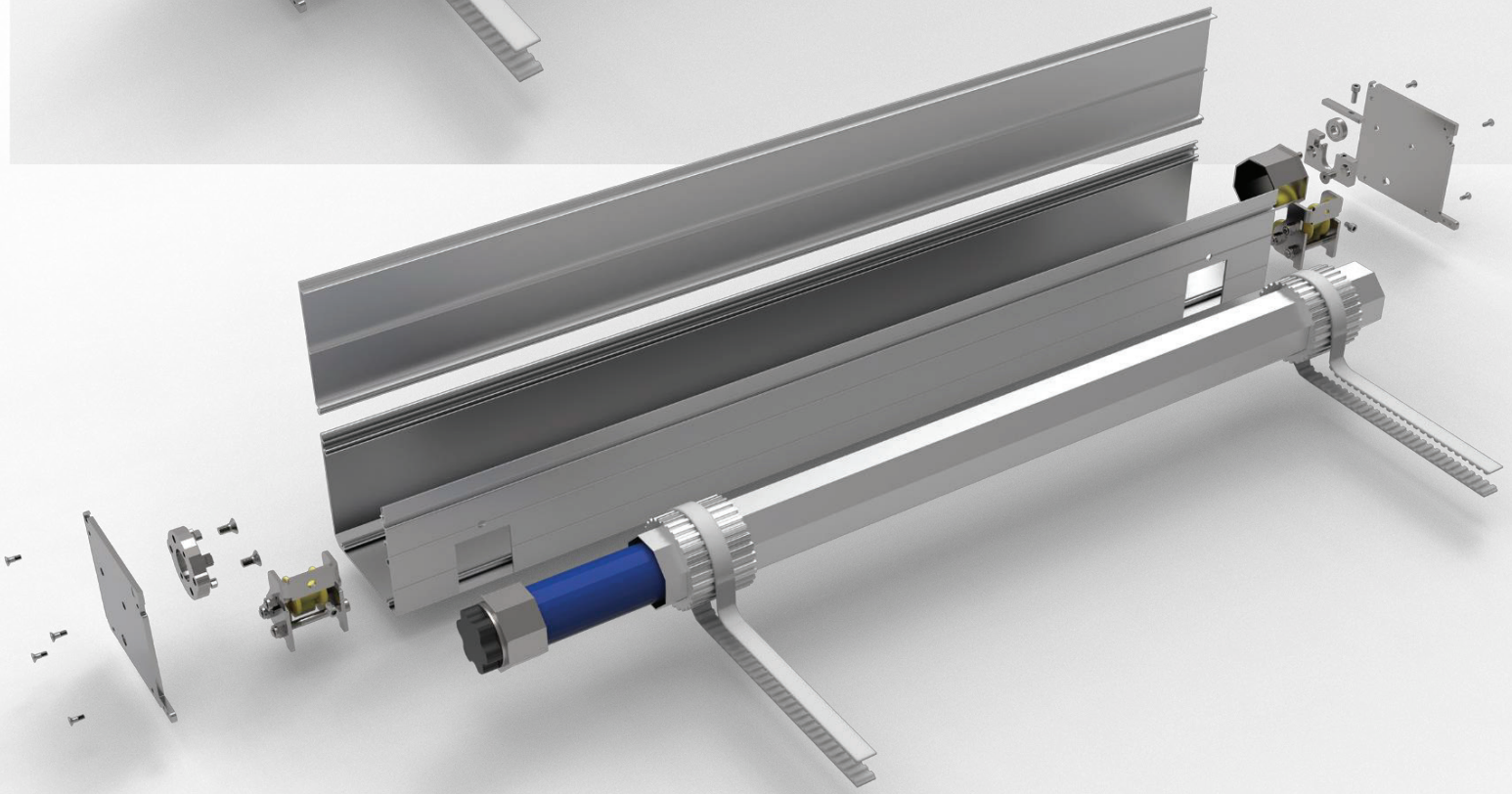


# MANUFACTURING SCHEME

## ENGINE BOX INSTALLATION



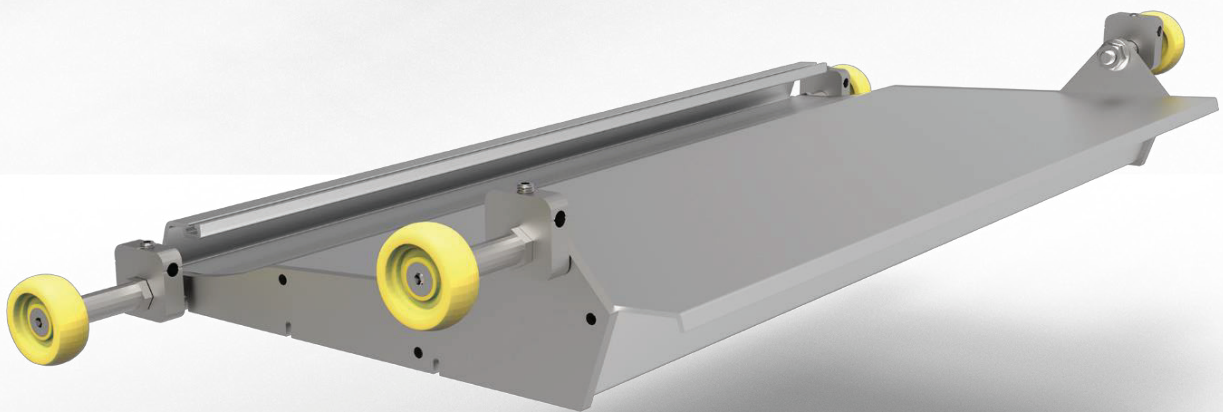
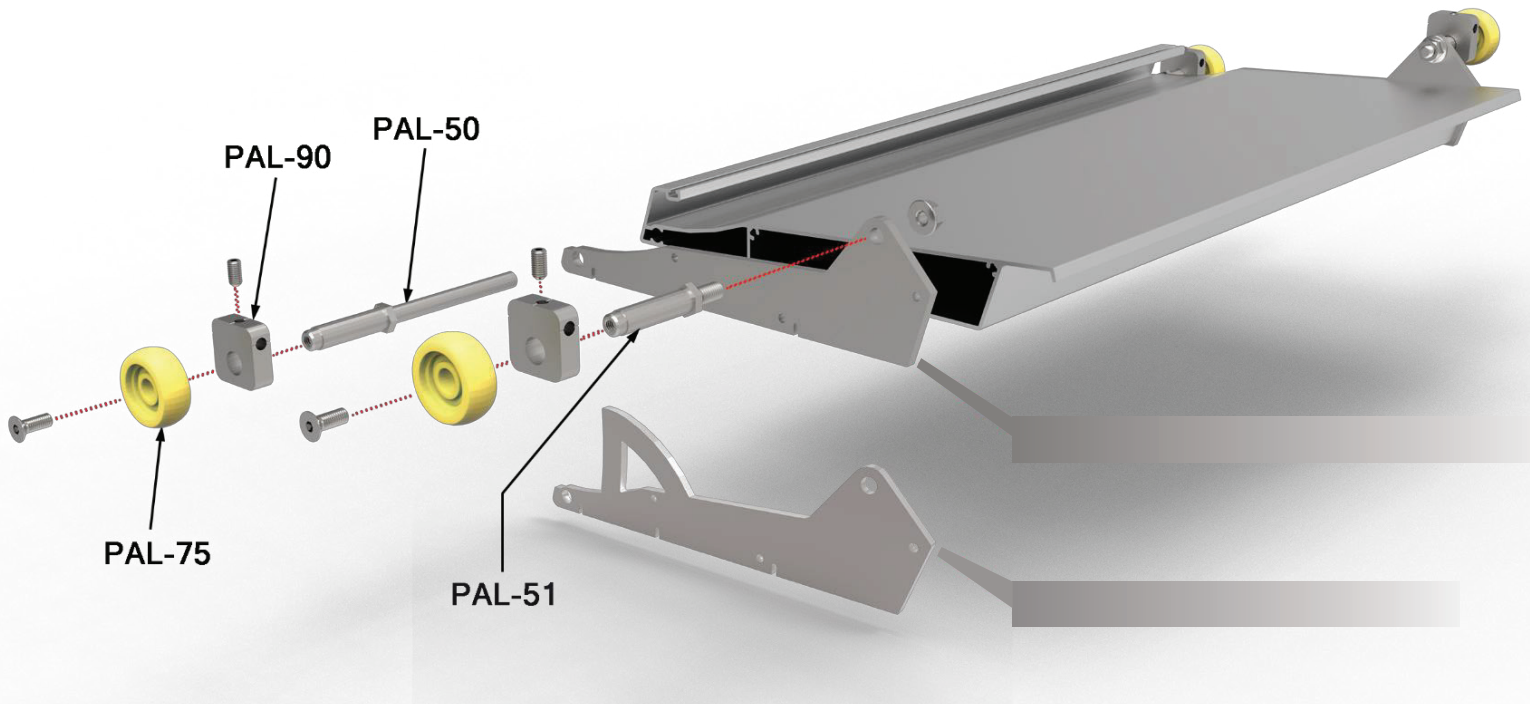
W3





## MANUFACTURING SCHEME

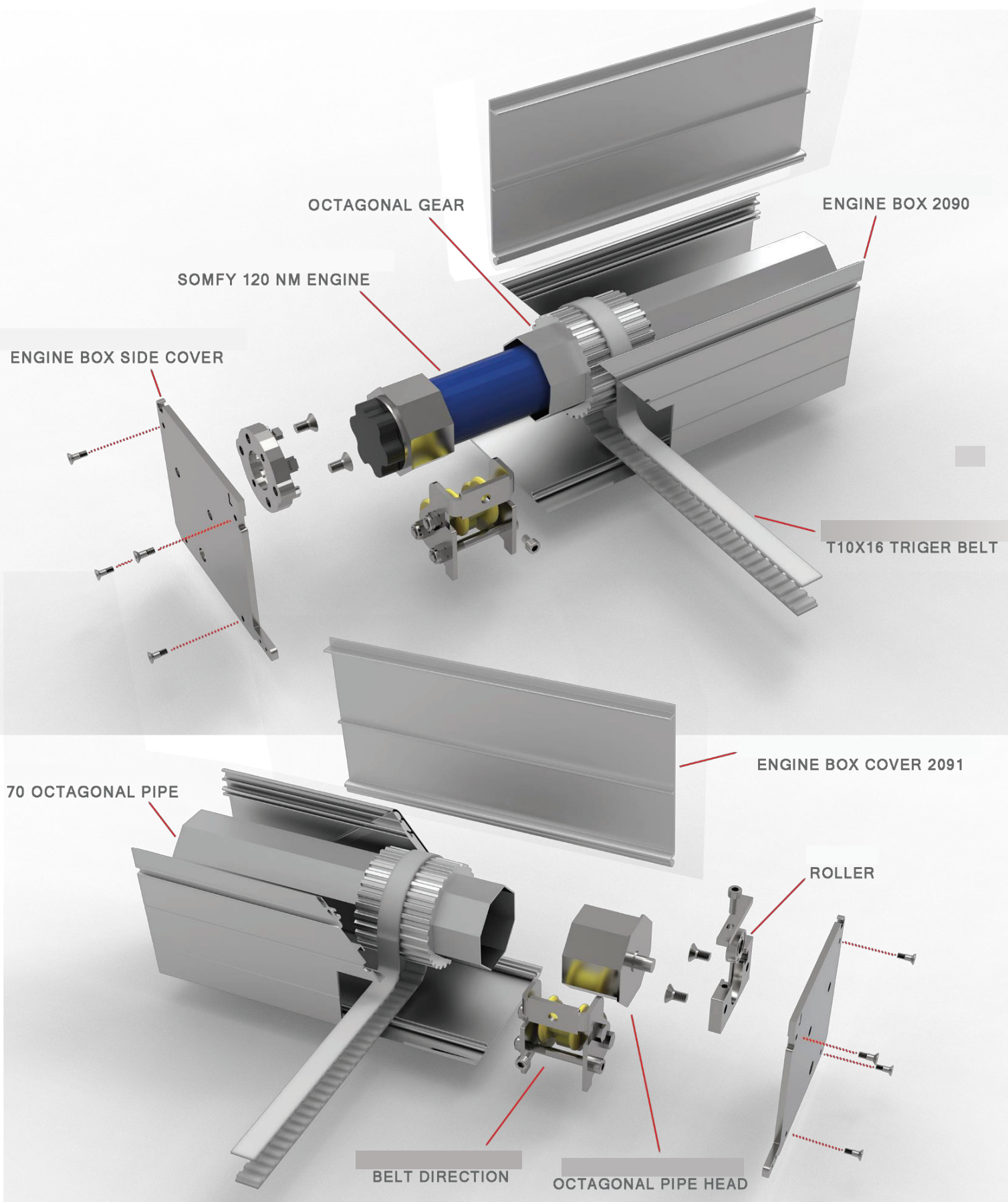
### LAMEL INSTALLATION



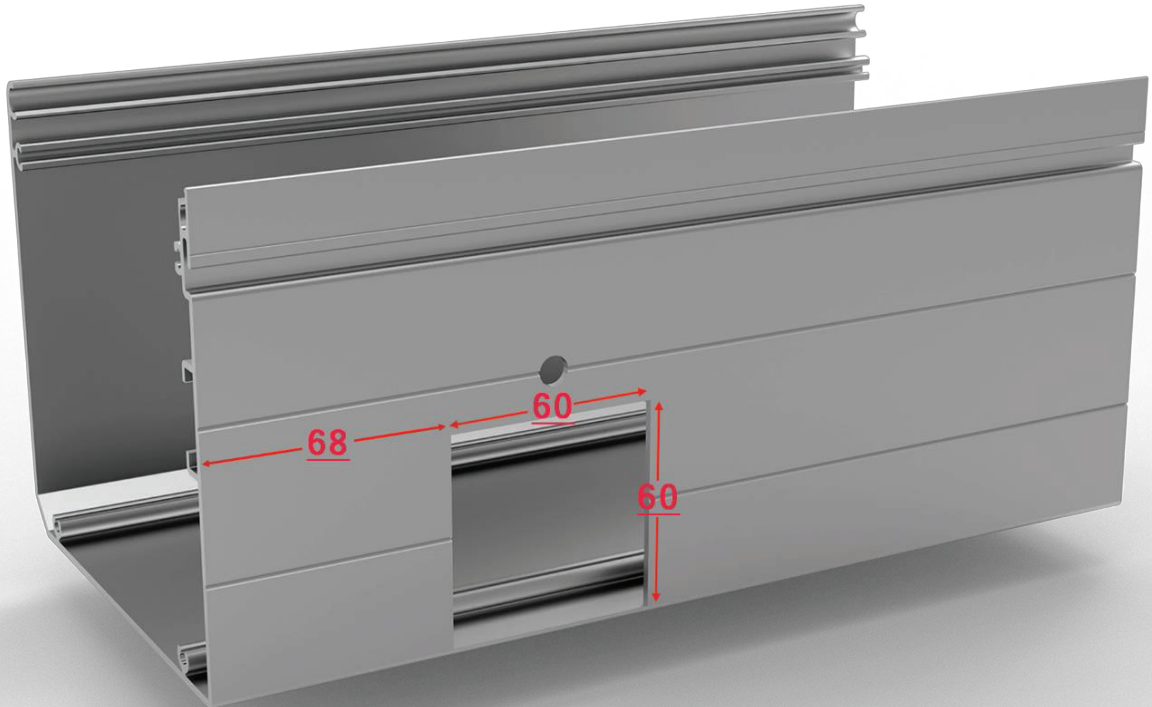


# MANUFACTURING SCHEME

## ENGINE BOX INSTALLATION

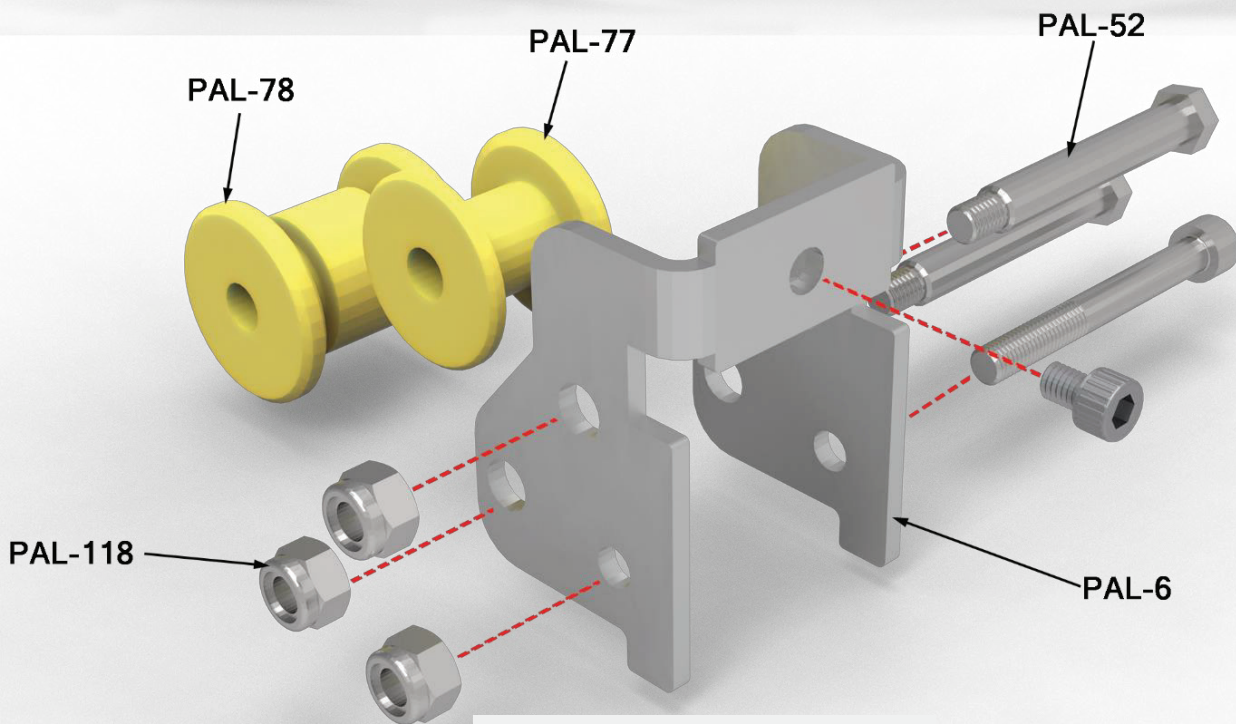


## MANUFACTURING SCHEME



W3

### ENGINE BOX NOTCHING OPERATION

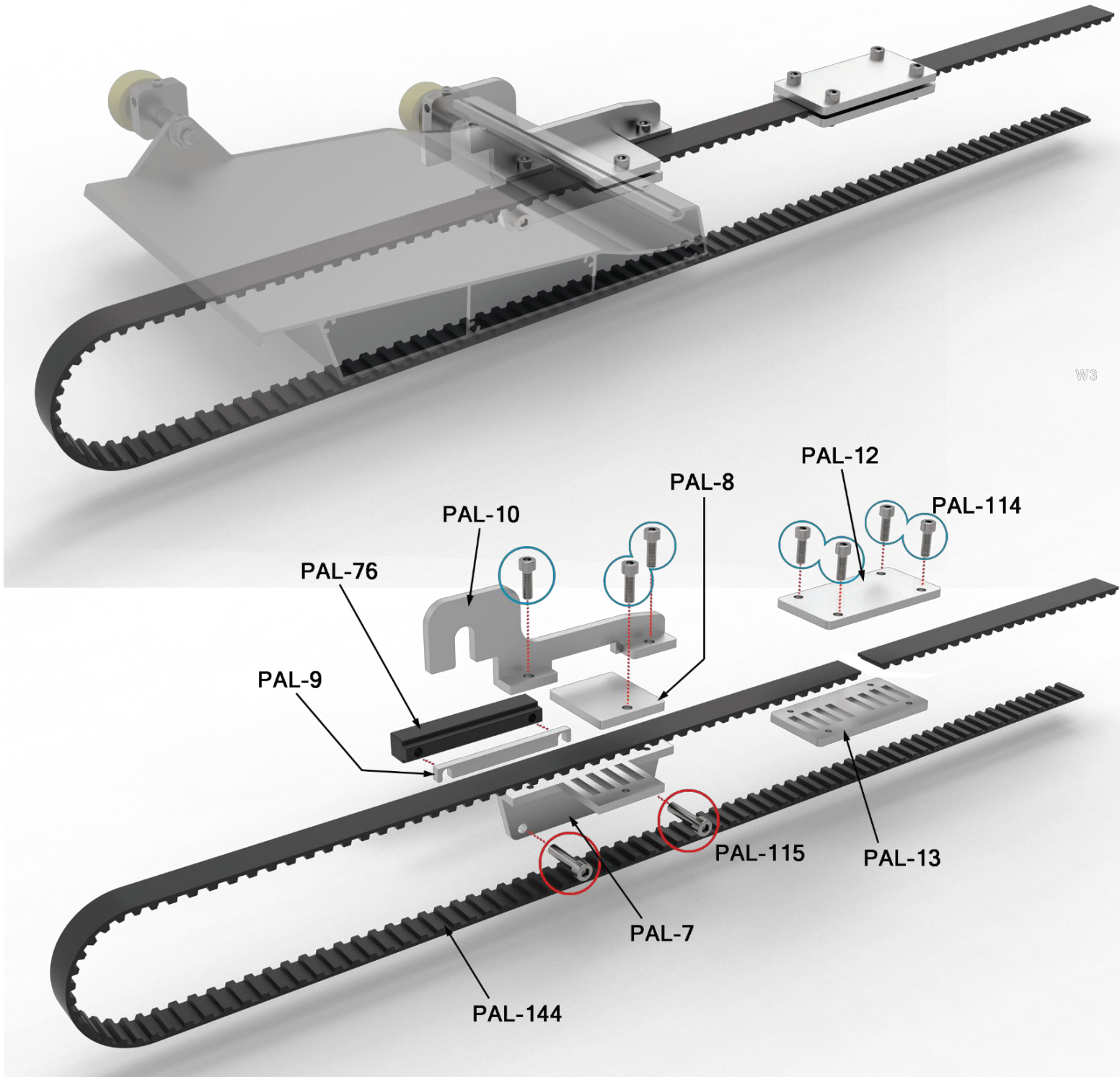


### BELT GUIDING APPARATUS



# MANUFACTURING SCHEME

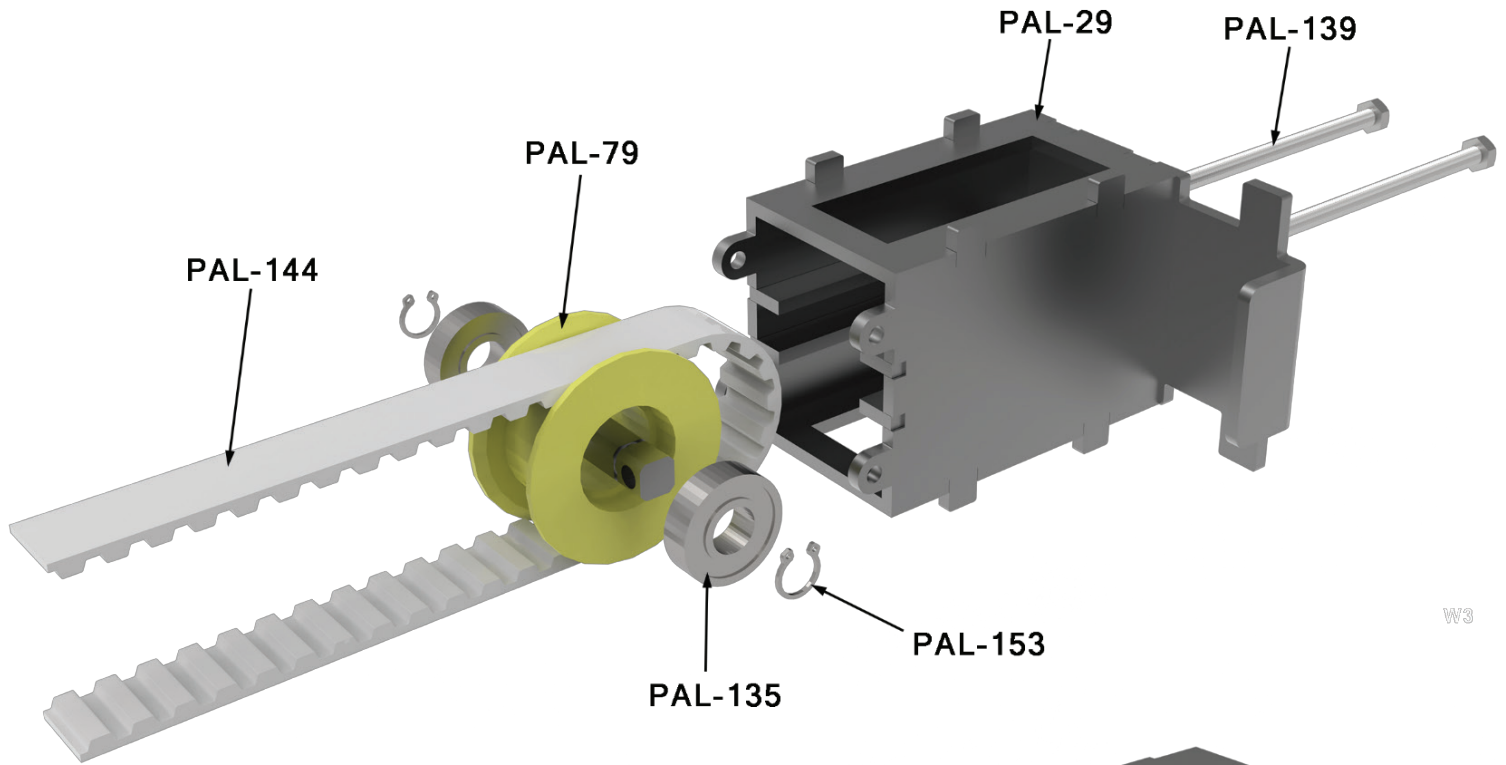
## FRONT TRACTOR INSTALLATION



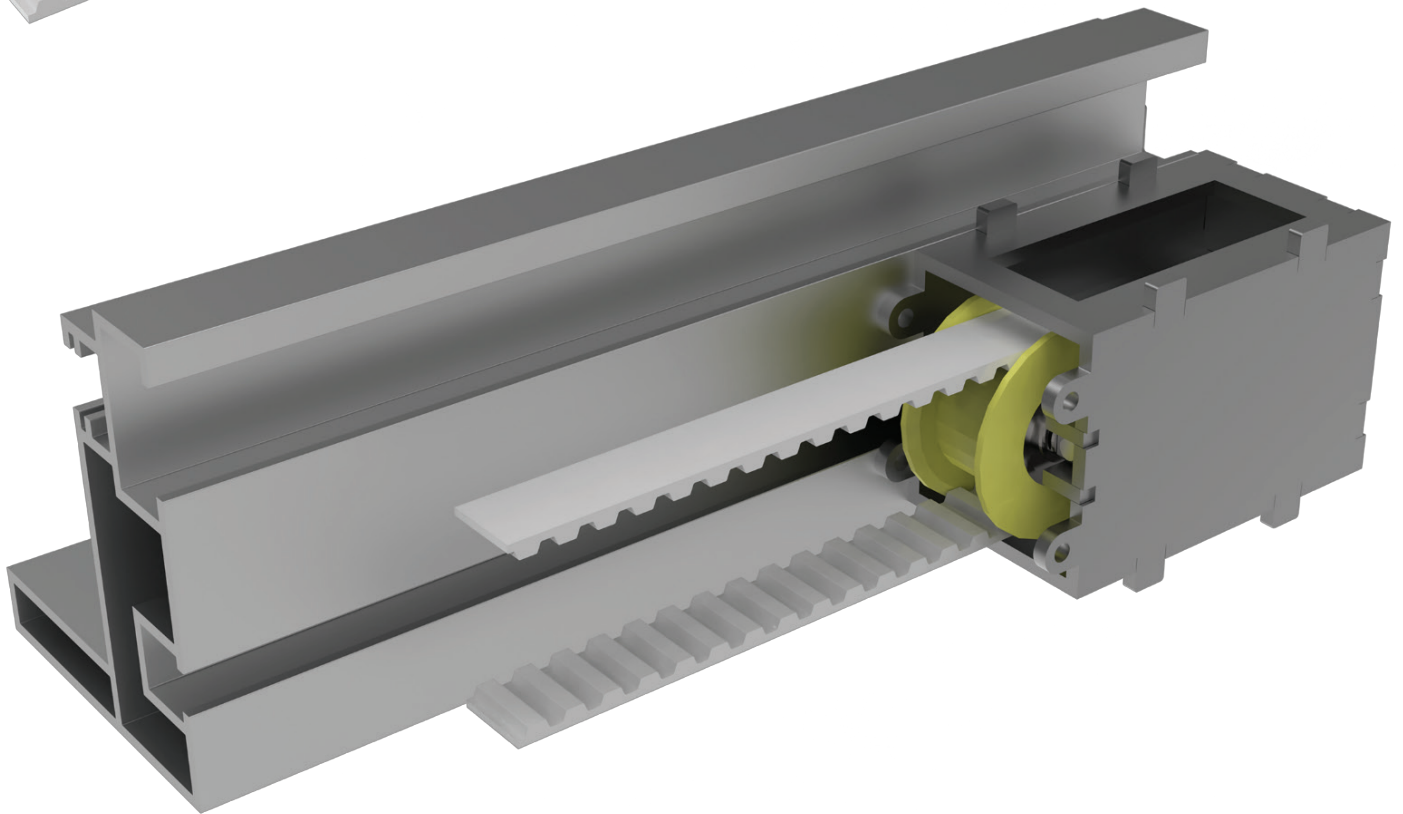


# MANUFACTURING SCHEME

## PRE-TENSIONER MECHANISM

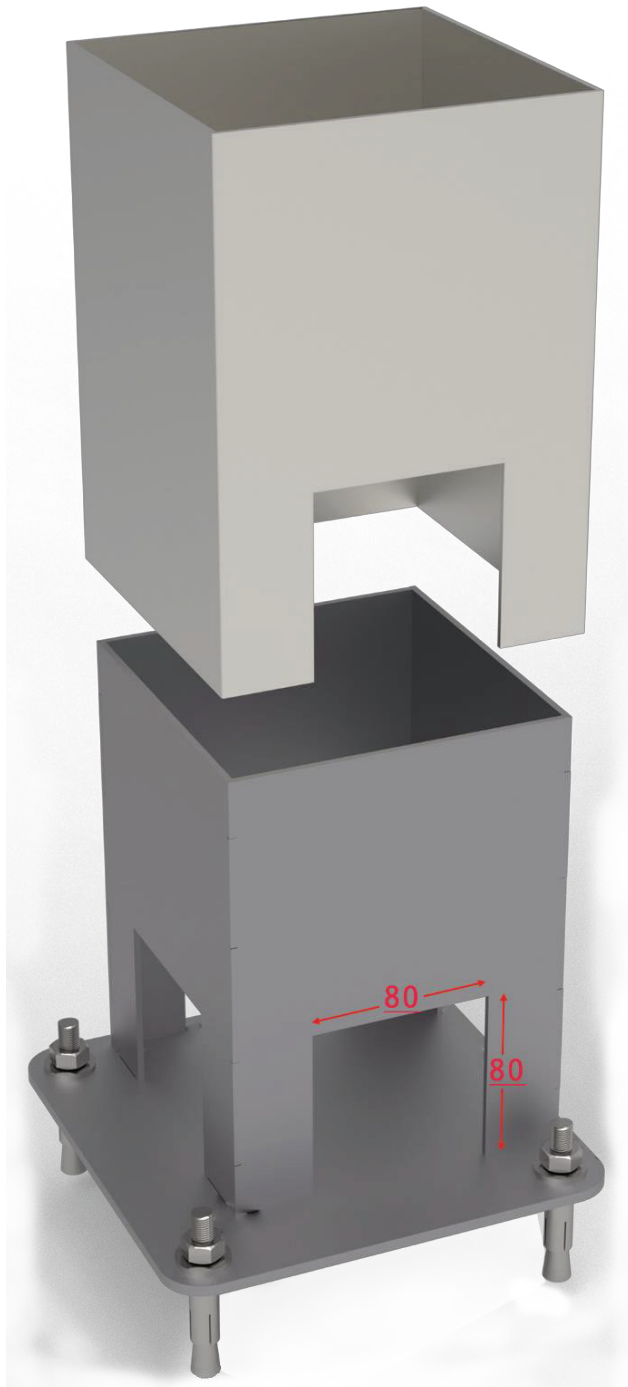


W3

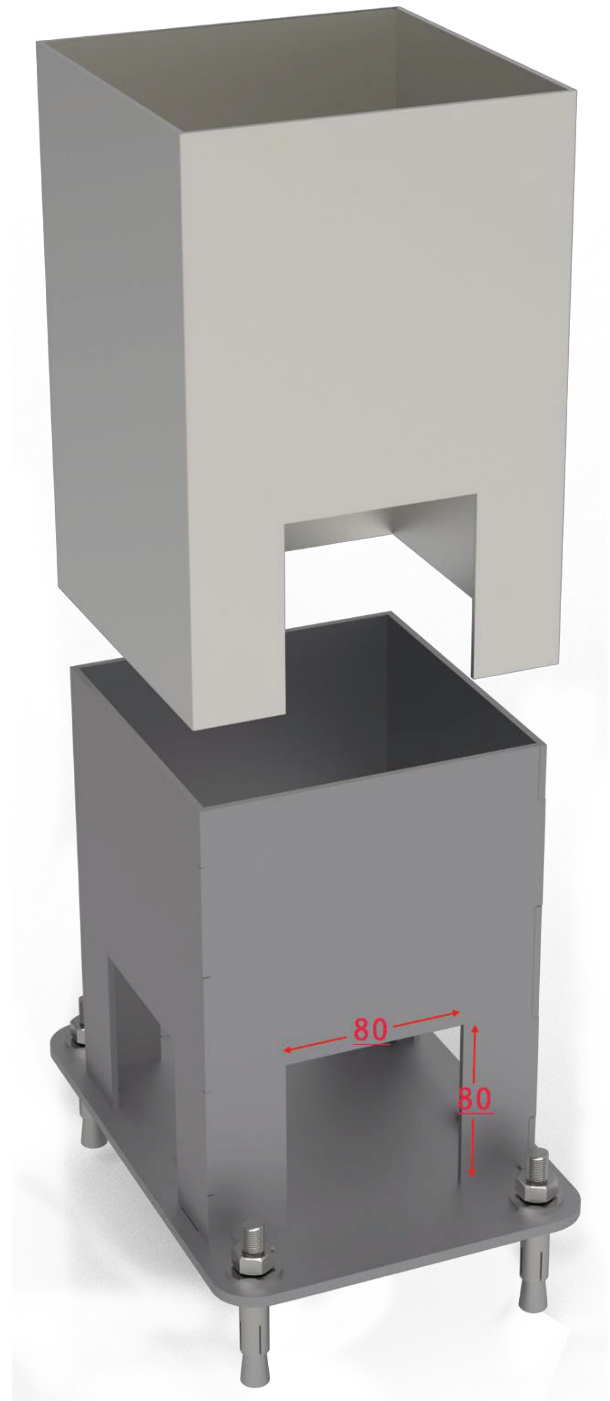


## MANUFACTURING SCHEME

### FOOT NOTCHING PROCESS



FOOT BOTTOM CORNER CONNECTION  
PAL-24



FOOT BOTTOM MIDDLE CONNECTION  
PAL-25

## TECHNICAL SPECIFICATION FOR PVC PERGOLA



*Aluminum pergolas are designed as durable and lightweight structures used to beautify outdoor spaces, create shaded areas or serve decorative purposes.*

*Aluminum pergolas are resistant to weather conditions and do not suffer from issues like rusting, rattling or fading. This makes them an excellent choice for long-term use.*

*Aluminum pergolas offer various design options. If you desire a modern and minimalist look, you can opt for a simple design, or you can choose a more traditional style.*

---

*All the colors you choose according to the RAL color standard can be applied.*

---

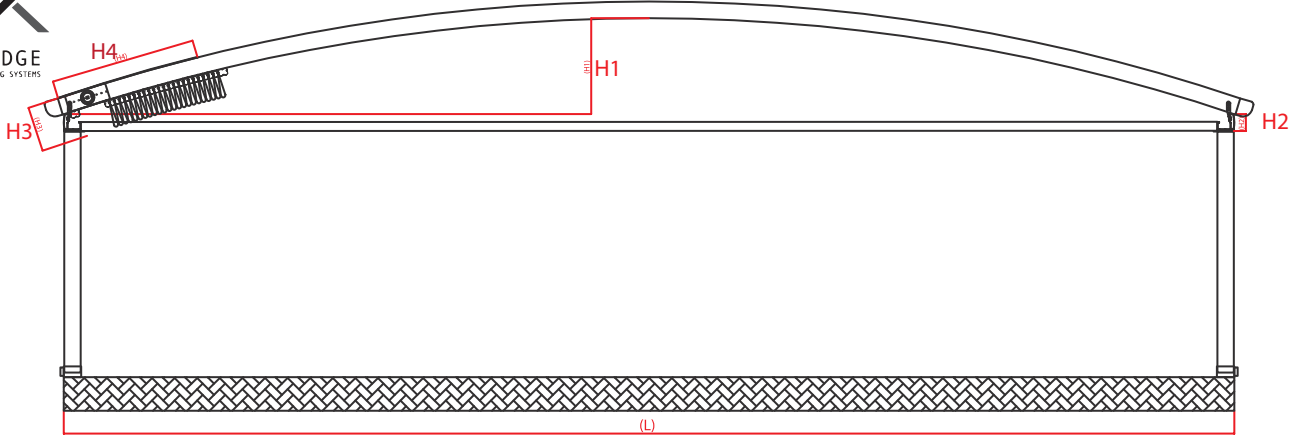
*It is extremely resistant to weather conditions such as rain and wind.*

---

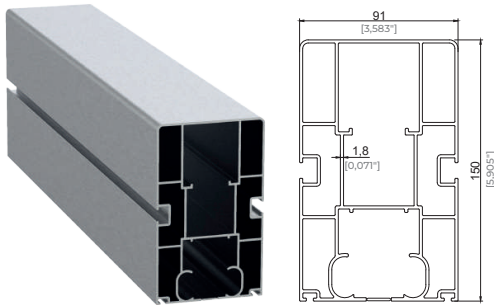
*Materials // 6063 T5 aluminum, stainless steel and derlin.*

---



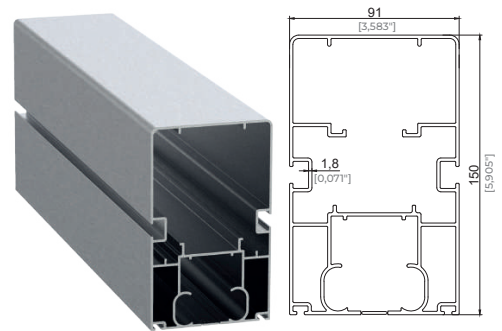


AÇILIM (L)	(H1)	(H2)	(H3)	(H4)	KUMAŞ PROFİLİ
300 cm	50 cm	15 cm	41 cm	56 cm	5+2 adet
350 cm	55 cm			56 cm	5+2 adet
400 cm	60 cm			65 cm	7+2 adet
450 cm	65 cm			65 cm	7+2 adet
500 cm	70 cm			74 cm	9+2 adet
550 cm	75 cm			74 cm	9+2 adet
600 cm	80 cm			83 cm	11+2 adet
650 cm	85 cm			83 cm	11+2 adet
700 cm	90 cm			92 cm	13+2 adet
750 cm	95 cm			92 cm	13+2 adet
800 cm	100 cm			100 cm	15+2 adet
850 cm	105 cm			100 cm	15+2 adet
900 cm	110 cm			110 cm	17+2 adet



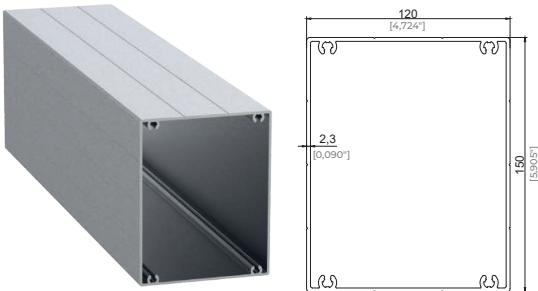
91x150 Rail Profile

Product Code	2052
Weight	4,867 kg/m 10,73 lb/m



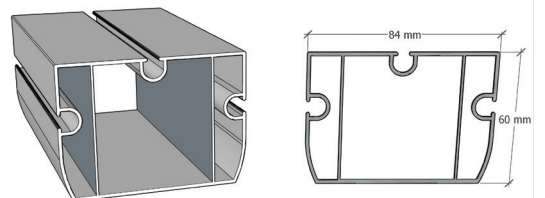
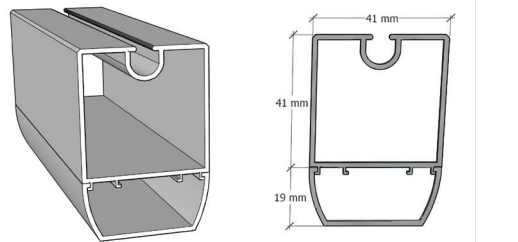
91x150 Eco Rail Profile

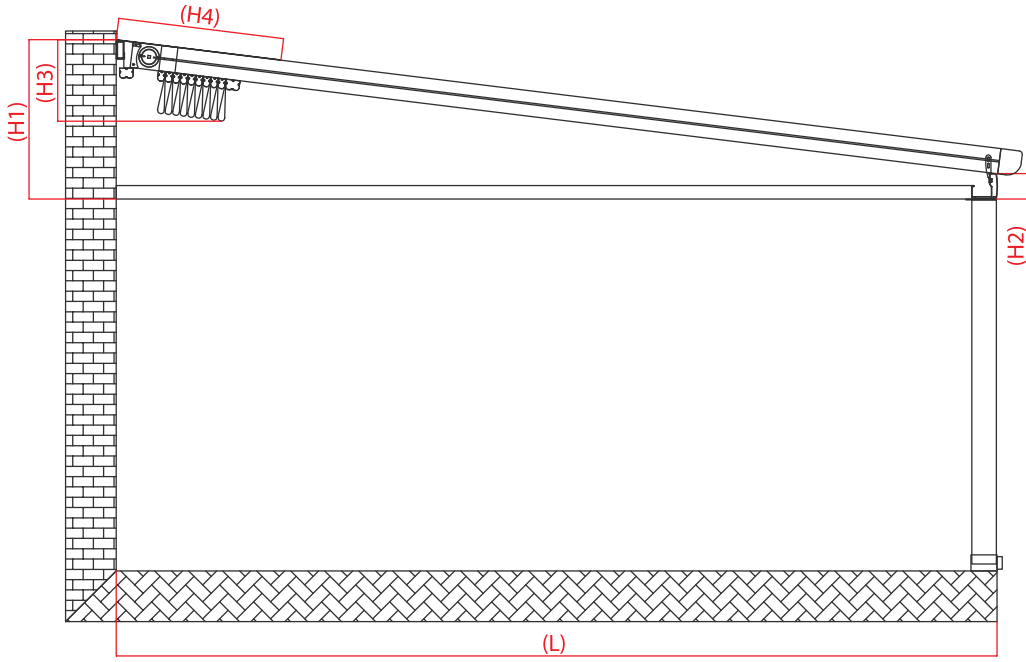
Product Code	2932
Weight	4,119 kg/m 9,081 lb/m



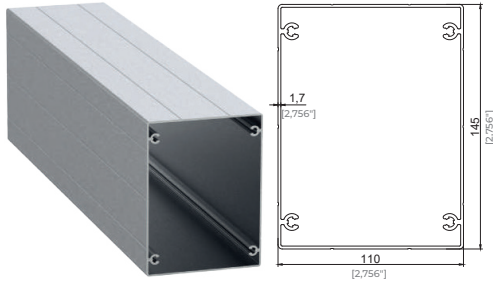
120x150 Pillar Profile

Product Code	6569
Weight	3,734 kg/m 8,232 lb/m



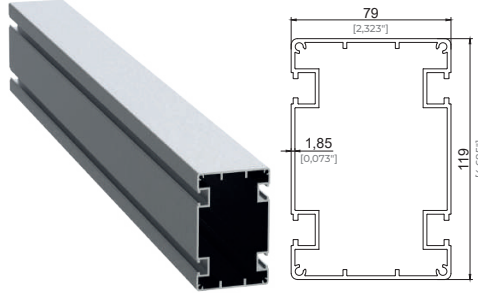


AÇILIM (L)	(H1)	(H2)	(H3)	(H4)	KUMAŞ PROFİLİ
300 cm	68 cm	15 cm	50 cm	56 cm	5+2 adet
350 cm	74 cm		51 cm	56 cm	5+2 adet
400 cm	80 cm		52 cm	65 cm	7+2 adet
450 cm	86 cm		53 cm	65 cm	7+2 adet
500 cm	92 cm		54 cm	74 cm	9+2 adet
550 cm	99 cm		55 cm	74 cm	9+2 adet
600 cm	105 cm		56 cm	83 cm	11+2 adet
650 cm	111 cm		57 cm	83 cm	11+2 adet
700 cm	117 cm		58 cm	92 cm	13+2 adet



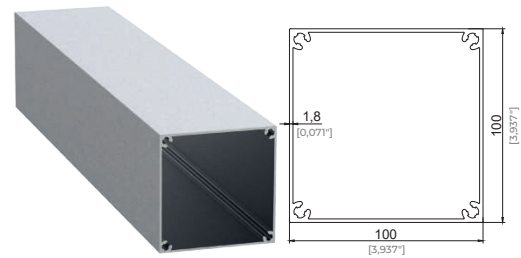
110x145 Pillar Profile

Product Code	2111
Weight	2,837 kg/m 6,255 lb/m



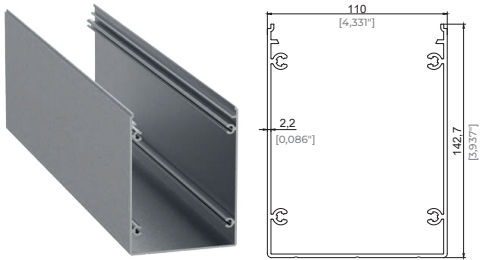
Horizontal Profile

Product Code	5936
Weight	2,726 kg/m 6,01 lb/m



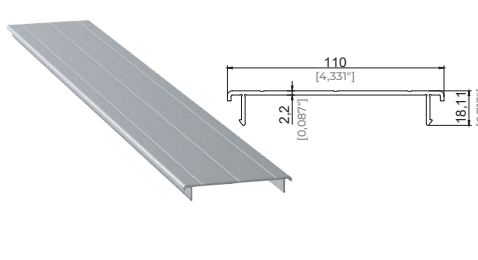
100x100 Pillar Profile

Product Code	6565
Weight	2,287 kg/m 5,042 lb/m



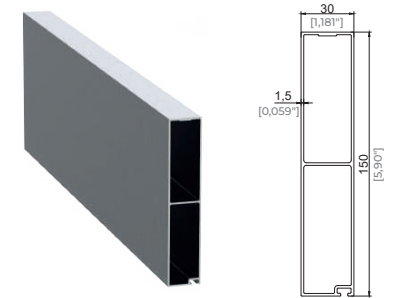
110x142,7 Pillar Main Profile

Product Code	2301
Weight	2,905 kg/m



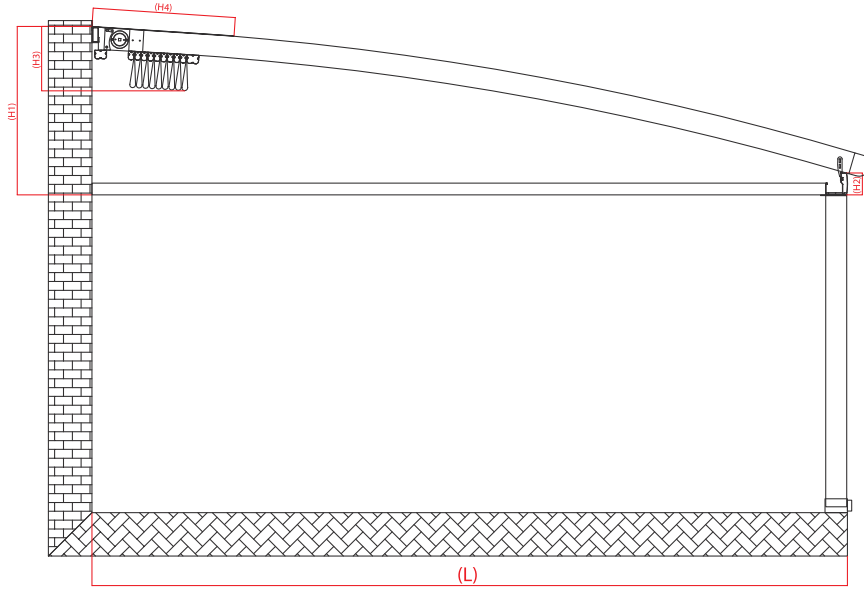
110x145 Pillar Cover Profile

Product Code	2302
Weight	0,835 kg/m 1,841 lb/m

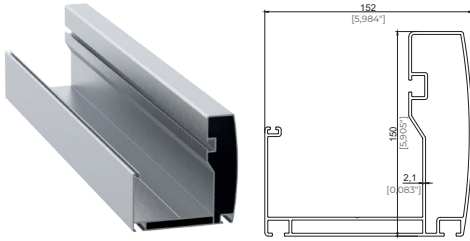


30x150 Box Profile

Product Code	37025
Weight	1,607 kg/m 3,543 lb/m

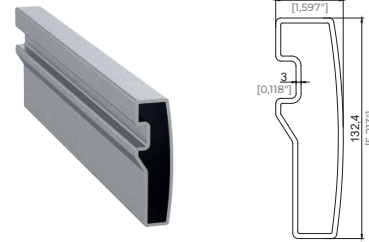


AÇILIM (L)	(H1)	(H2)	(H3)	(H4)	KUMAŞ PROFİLİ
300 cm	75 cm	15 cm	50 cm	56 cm	5+2 adet
350 cm	85 cm		51 cm	56 cm	5+2 adet
400 cm	95 cm		52 cm	65 cm	7+2 adet
450 cm	105 cm		53 cm	65 cm	7+2 adet
500 cm	115 cm		54 cm	74 cm	9+2 adet
550 cm	125 cm		55 cm	74 cm	9+2 adet
600 cm	135 cm		56 cm	83 cm	11+2 adet
650 cm	145 cm		57 cm	83 cm	11+2 adet
700 cm	155 cm		58 cm	92 cm	13+2 adet
750 cm	165 cm		59 cm	92 cm	13+2 adet
800 cm	175 cm		60 cm	100 cm	15+2 adet



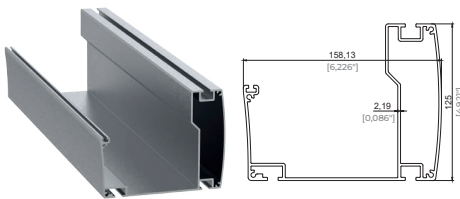
152X150 Gutter Profil

Product Code	2078
Weight	4,225 kg/m 9,315 lb/m



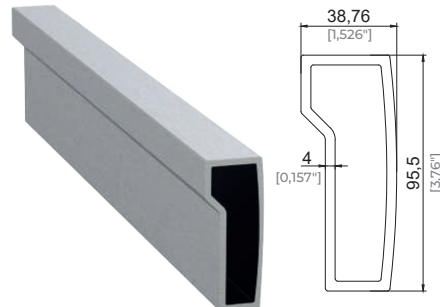
40,6x132,4 Gutter Profile Connection

Product Code	2281
Weight	2,724 kg/m 6,005 lb/m



158x125 Gutter Profile

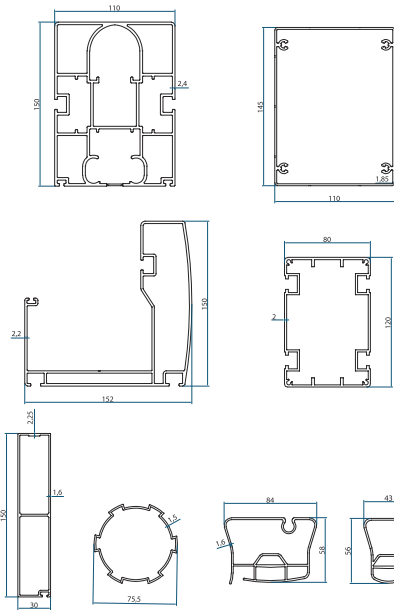
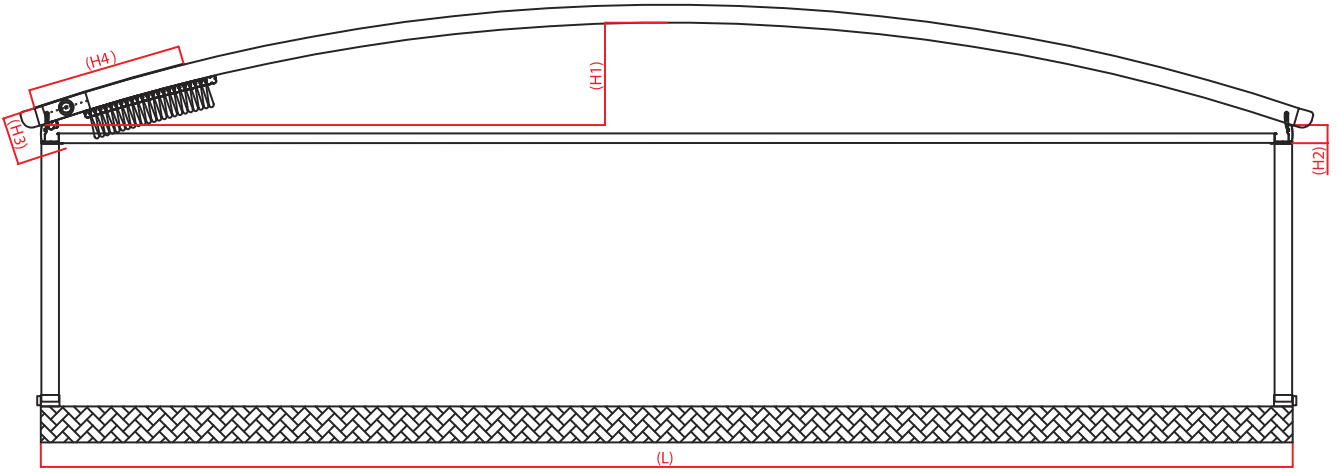
Product Code	5935
Weight	3,721 kg/m 8,203 lb/m



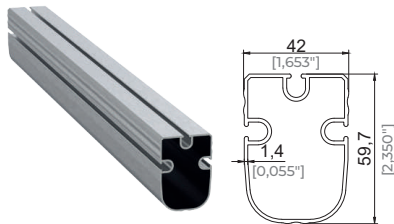
38,8x95,5 Gutter Profile Connection

Product Code	6536
Weight	2,618 kg/m 5,772 lb/m



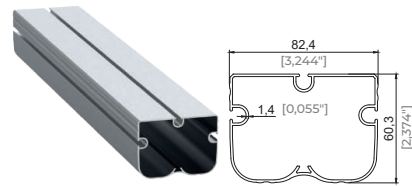


AÇILIM (L)	(H1)	(H2)	(H3)	(H4)	KUMAŞ PROFİLİ
300 cm	50 cm	15 cm	41 cm	56 cm	5+2 adet
350 cm	55 cm			56 cm	5+2 adet
400 cm	60 cm			65 cm	7+2 adet
450 cm	65 cm			65 cm	7+2 adet
500 cm	70 cm			74 cm	9+2 adet
550 cm	75 cm			74 cm	9+2 adet
600 cm	80 cm			83 cm	11+2 adet
650 cm	85 cm			83 cm	11+2 adet
700 cm	90 cm			92 cm	13+2 adet
750 cm	95 cm			92 cm	13+2 adet
800 cm	100 cm			100 cm	15+2 adet
850 cm	105 cm			100 cm	15+2 adet
900 cm	110 cm			110 cm	17+2 adet
950 cm	115 cm			110 cm	17+2 adet
1000 cm	115 cm			120 cm	19+2 adet
1050 cm	115 cm			120 cm	19+2 adet
1100 cm	120 cm	130 cm	21+2 adet		
1150 cm	120 cm	130 cm	21+2 adet		
1200 cm	120 cm	140 cm	23+2 adet		



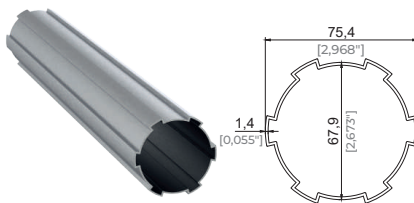
42x59,7 Fabric Support Profile

Product Code	37153
Weight	0,935 kg/m 2,061 lb/m



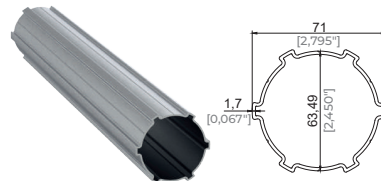
82,4x60,3 Fabric Support Profile

Product Code	37216
Weight	1,280 kg/m 2,822 lb/m



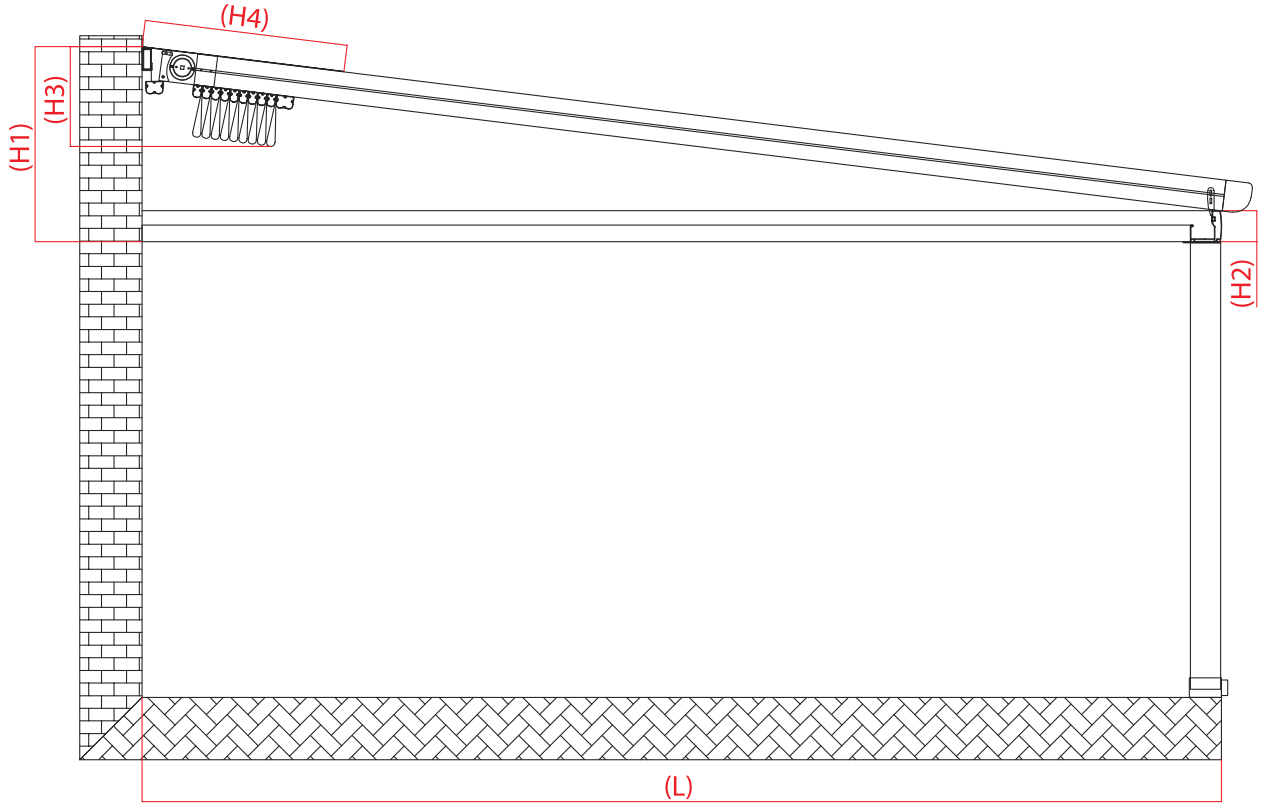
Motor Tube

Product Code	5312
Weight	1,000 kg/m 2,205 lb/m

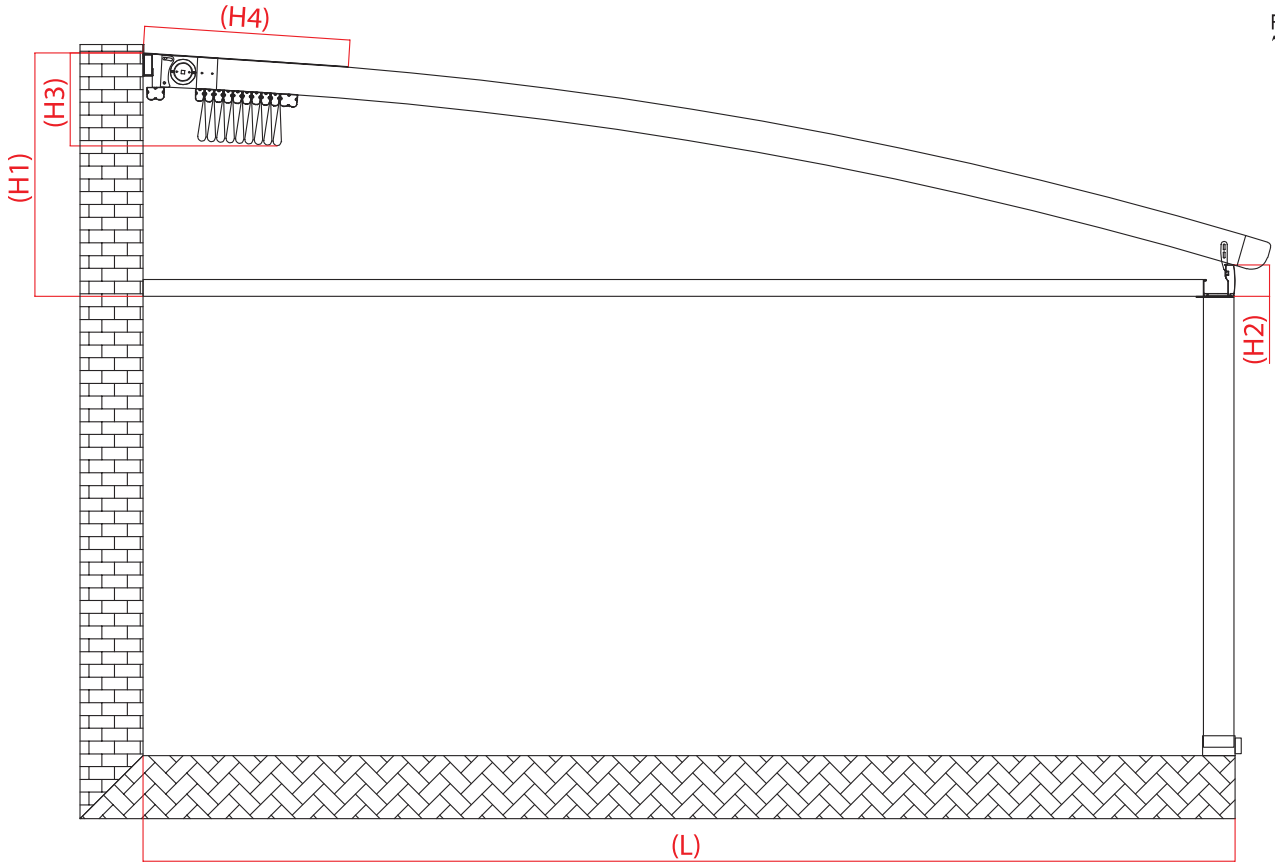


Motor Tube Connection Profile

Product Code	37100
Weight	1,073 kg/m 2,366 lb/m



AÇILIM (L)	(H1)	(H2)	(H3)	(H4)	KUMAŞ PROFİLİ
300 cm	68 cm	15 cm	50 cm	56 cm	5+2 adet
350 cm	74 cm		51 cm	56 cm	5+2 adet
400 cm	80 cm		52 cm	65 cm	7+2 adet
450 cm	86 cm		53 cm	65 cm	7+2 adet
500 cm	92 cm		54 cm	74 cm	9+2 adet
550 cm	99 cm		55 cm	74 cm	9+2 adet
600 cm	105 cm		56 cm	83 cm	11+2 adet
650 cm	111 cm		57 cm	83 cm	11+2 adet
700 cm	117 cm		58 cm	92 cm	13+2 adet
750 cm	123 cm		59 cm	92 cm	13+2 adet
800 cm	130 cm		60 cm	100 cm	15+2 adet
850 cm	136 cm		61 cm	100 cm	15+2 adet
900 cm	142 cm		62 cm	110 cm	17+2 adet
950 cm	148 cm		63 cm	110 cm	17+2 adet
1000 cm	155 cm		64 cm	120 cm	19+2 adet
1050 cm	161 cm		65 cm	120 cm	19+2 adet
1100 cm	167 cm		66 cm	130 cm	21+2 adet
1150 cm	173 cm	67 cm	130 cm	21+2 adet	
1200 cm	179 cm	68 cm	140 cm	23+2 adet	



AÇILIM (L)	(H1)	(H2)	(H3)	(H4)	KUMAŞ PROFİLİ
300 cm	75 cm	15 cm	50 cm	56 cm	5+2 adet
350 cm	85 cm		51 cm	56 cm	5+2 adet
400 cm	95 cm		52 cm	65 cm	7+2 adet
450 cm	105 cm		53 cm	65 cm	7+2 adet
500 cm	115 cm		54 cm	74 cm	9+2 adet
550 cm	125 cm		55 cm	74 cm	9+2 adet
600 cm	135 cm		56 cm	83 cm	11+2 adet
650 cm	145 cm		57 cm	83 cm	11+2 adet
700 cm	155 cm		58 cm	92 cm	13+2 adet
750 cm	165 cm		59 cm	92 cm	13+2 adet
800 cm	175 cm		60 cm	100 cm	15+2 adet
850 cm	185 cm		61 cm	100 cm	15+2 adet
900 cm	195 cm		62 cm	110 cm	17+2 adet
950 cm	205 cm		63 cm	110 cm	17+2 adet
1000 cm	215 cm		64 cm	120 cm	19+2 adet
1050 cm	225 cm		65 cm	120 cm	19+2 adet
1100 cm	235 cm		66 cm	130 cm	21+2 adet
1150 cm	245 cm		67 cm	130 cm	21+2 adet
1200 cm	255 cm		68 cm	140 cm	23+2 adet